

HILTI

DD-750 HY/ D-LP 15 / D-LP 32

Bedienungsanleitung [de](#)

Operating instructions [en](#)

Mode d'emploi [fr](#)

Istruzioni d'uso [it](#)

Manual de instrucciones [es](#)

Käyttöohje [fi](#)

Инструкция по эксплуатации [ru](#)

사용설명서 [ko](#)



ORIGINAL OPERATING INSTRUCTIONS

DD-750 HY/D-LP 15/D-LP 32 diamond core drilling system

Congratulations!

In purchasing the Hilti **D-LP/DD-750HY** hydraulic diamond core drilling system you have acquired a quality product that provides the highest level of performance, safety and reliability. Uncompromising quality assurance during its manufacture ensures that the system will have a long service life.

Modular design and quick-change interfaces make the system easy to set up and operate by one person. The system's 4-speed gearbox makes it suitable for universal use, for holes of up to 750 mm diameter, for deep-hole drilling and for repetitive (stitch) drilling. The highly efficient DD-750HY saves time and money.

These operating instructions are intended for the use of concrete cutting service companies and their experienced personnel, who are referred to in the following paragraphs as “the operator”. Before using the diamond core drilling system for the first time, the operator must read and understand these operating instructions and receive training from a Hilti specialist. This will ensure that the system can be operated efficiently, economically and safely.

We would like to wish you every success in your work and thank you for placing your confidence in Hilti products.

Contents

General information	19
Safety instructions	21
The DD-750HY modular diamond core drilling system	24
General description and technical data	25
Spindle speeds, oil flow rates, chucks and tools	27
Setting up the rig and selecting the baseplate	27
Hydraulic units – operation	28
Power units and control units for use with the DD-750HY	29
Setting up and operating the hydraulic drilling system	30
Disassembly and maintenance	31
Disposal	32
Manufacturer's warranty – tools	33
EC declaration of conformity (original)	33

It is essential that the operating instructions are read before the machine is operated for the first time.

Always keep these operating instructions together with the machine.

Ensure that the operating instructions are with the machine when it is given to other persons.

DANGER

Draws attention to imminent danger that could lead to serious bodily injury or fatality.

WARNING

Draws attention to a potentially dangerous situation that could lead to serious personal injury or fatality.

CAUTION

Draws attention to a potentially dangerous situation that could lead to slight personal injury or damage to the equipment or other property.

NOTE

Draws attention to an instruction or other useful information.

Explanation of the pictograms and other information

Warning signs



General warning



Warning: electricity



Warning: avoid hand injuries



Warning: Risk of cutting injury

Obligation signs



Wear protective gloves.



Wear eye protection.



Wear a hard hat.



Wear safety footwear.



Wear respiratory protection.



Wear ear protection.

Symbols



Read the operating instructions before use.



Return waste material for recycling.

A

Amps

V

Volts

Hz

Hertz

kW

Kilowatts

mm

Millimeters

/min

Revolutions per minute

rpm

Revolutions per minute

l/min

Liters per minute

bar

Bar

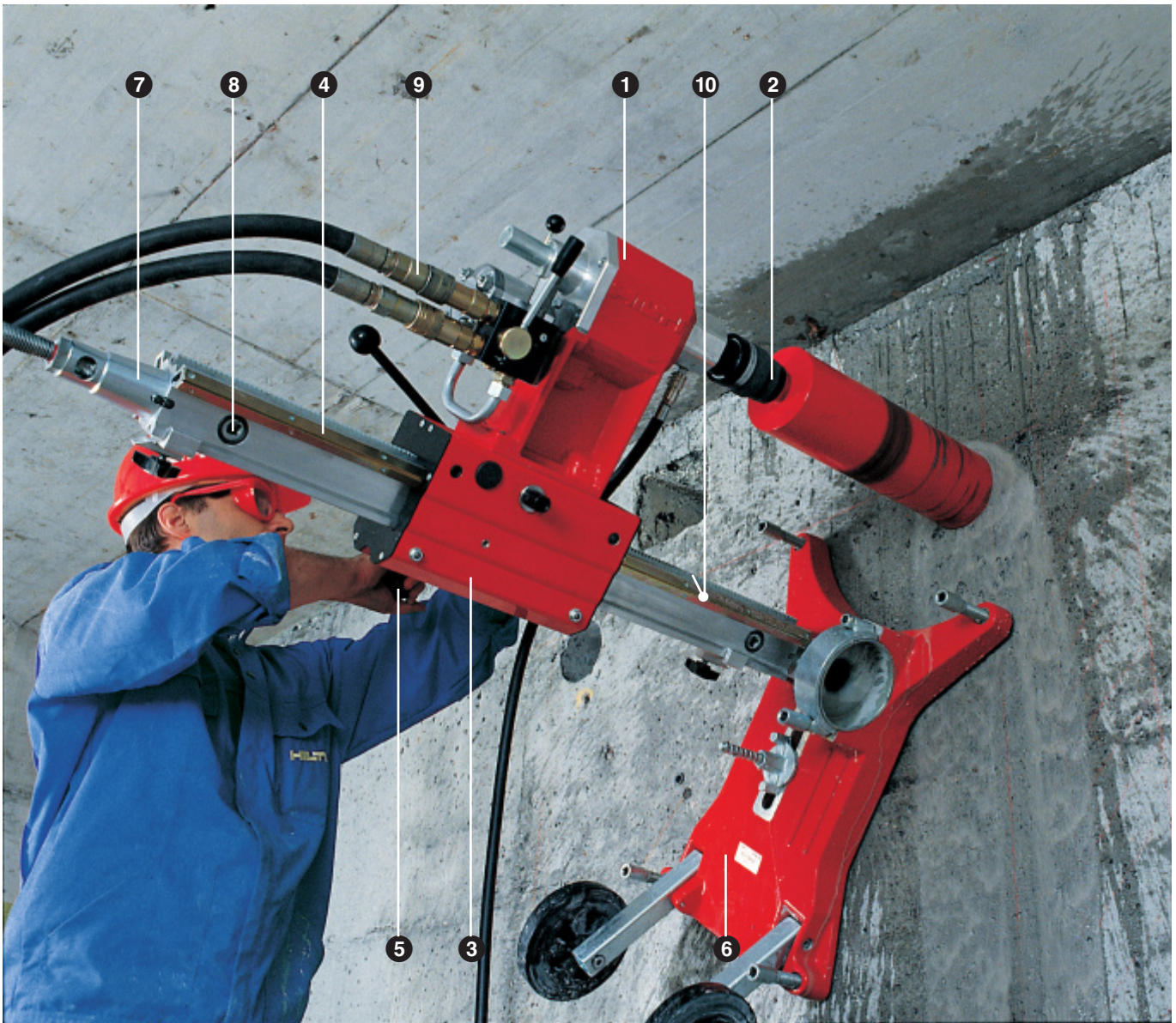


Alternating current



Diameter

Parts and equipment



- ❶ DD-750HY hydraulic motor unit
- ❷ DD-C-BU chuck
- ❸ DD-CA-L carriage
- ❹ Rail, e.g. D-R100-L
- ❺ DD-FH handwheel
- ❻ Baseplate, e.g. DD-BA3-70
- ❼ D-CO-ML taper
- ❽ D-EP-ML eccentric pin
- ❾ D-PH $\frac{5}{8}$ " hydraulic hose
- ❿ DD-CP-L clamping piece

1. General warnings

- 1.1 Do not attempt to use the hydraulic drilling system without having received the appropriate training from an authorised Hilti specialist.
- 1.2 Always use the hydraulic drilling system in accordance with the operating instructions. The operating instructions must always be kept at hand. The instructions concerning anchoring and securing the system must be observed.
- 1.3 Approval must be obtained from the site engineer or other authorised person before beginning drilling. Drilling and cutting through steel reinforcement can negatively affect the structural stability of a building. Ensure that there are no concealed gas, water, electricity or other supply lines in the area in which drilling work is to be carried out.
- 1.4 The area in front of, behind or below where drilling work is to be carried out must be secured in such a way that persons cannot be injured or equipment damaged by falling blocks of concrete. If necessary, cores should be secured to prevent them from falling.



2. Warnings – fastening, setting up and operating the DD-750HY

- 2.1 Fastening the baseplates for the DD-750HY:

WARNING

Use an anchor suitable for the material on which you are working and observe the anchor manufacturer's instructions.

NOTE

Hilti M16 metal expansion anchors are usually suitable for fastening diamond core drilling equipment to uncracked concrete. Under certain conditions it may be necessary to use an alternative fastening method. Please contact Hilti Technical Service if you have any questions about secure fastening.

- 2.2 Prevent the carriage from sliding down the column:
The DD-CA-L carriage is equipped with a feed movement locking device. When setting up the equipment or when removing a core, the DD-CP-L clamping piece should be mounted on the D-R..L column as an additional security measure to prevent the carriage from sliding down the column unintentionally.
- 2.3 The D-LP/DD-750HY core drilling system must not be operated in environments where there is a risk of explosion.



3. General safety precautions

- 3.1 Modules and parts from other Hilti diamond core drilling systems may also be used. Please refer to their separate operating instructions for information on their use and operation.
- 3.2 Keep the working area tidy. Untidiness and bad organisation of the working area can lead to accidents. Failure to observe warnings, safety precautions or the operating instructions may cause damage to the equipment or present a risk of personal accident to the operator.
- 3.3 The influences of the environment in which you are working must be taken into account. Do not position the equipment where the hydraulic unit will become wet or where the electric extension cable will lie in water. Ensure that the area is well lit. Do not use the equipment in the vicinity of inflammable liquids and gases. Make provision for water removal.
- 3.4 Keep children away from the working area. Keep other people away from the working area when the equipment is in operation. Tools, extension cables or hydraulic hoses should not be tampered with by other people while the equipment is in operation.
- 3.5 Motor units, other parts and tools should be kept in a dry, secure place out of reach of children when not in use.



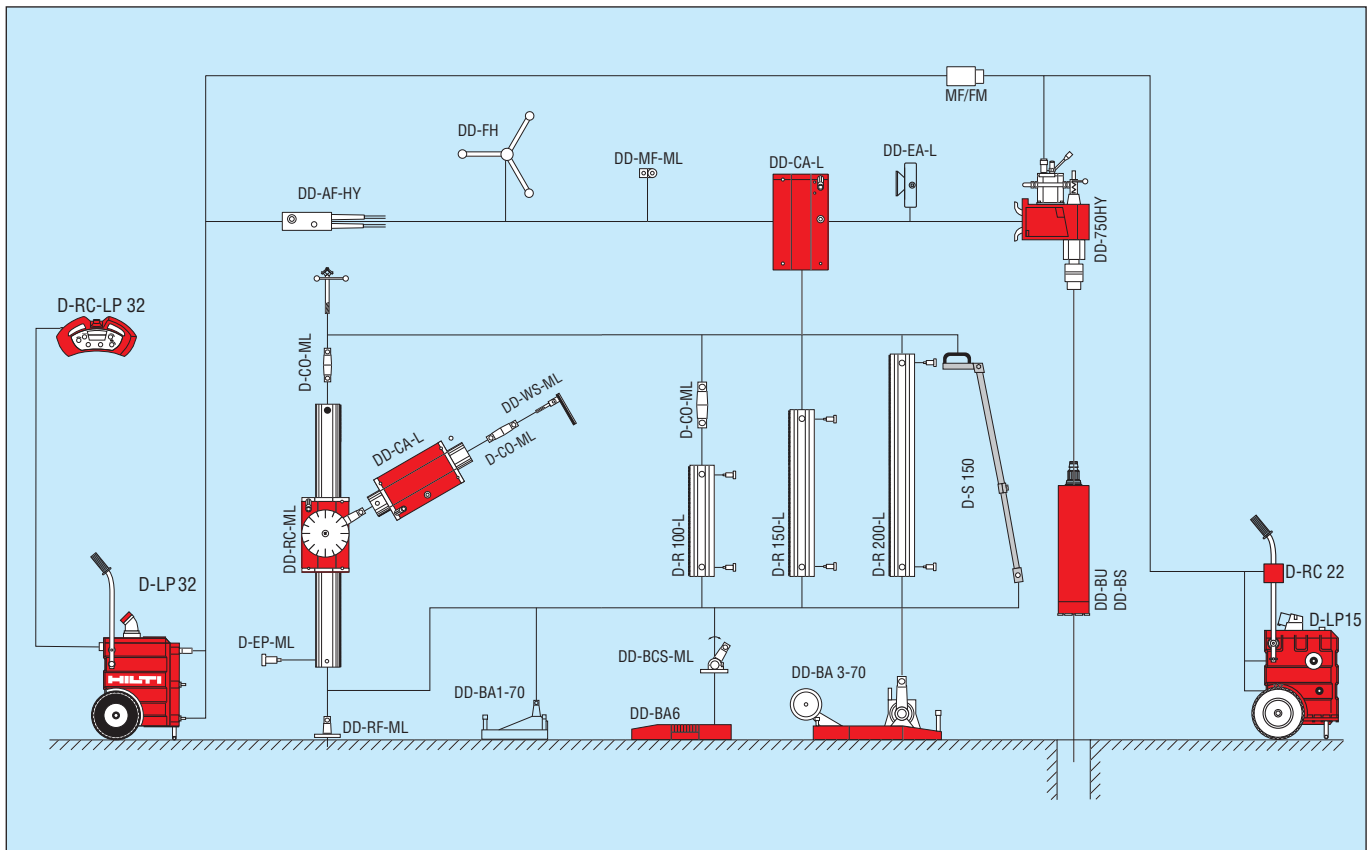
Safety instructions

- 3.6 Do not overload the system. Operate the equipment within its specified power range. The motor units or other system parts are covered by warranty only when used in the system combinations listed in the operating instructions.
- 3.7 Do not use the equipment for purposes and applications for which it was not designed.
- 3.8 Wear suitable clothing. Do not wear loose clothing or jewellery which could become caught in moving parts of the machinery. Wear a helmet, protective goggles, protective gloves, safety shoes, ear protectors and a hair net if you have long hair.
- 3.9 When unplugging, pull the plug and not the cable. Do not carry or transport the motor units by the hydraulic hoses. Protect the hydraulic hoses from sharp edges.
- 3.10 Avoid body positions in which the back is bent when carrying motor units and other heavy parts. Maintain a secure stance and always stay in balance, especially when using ladders.
- 3.11 Care and maintenance of the system is necessary to ensure safe and trouble-free operation. Follow the maintenance instructions. Keep the grips dry and free of oil and grease.
- 3.12 Disconnect the electric extension cable from the mains supply when the equipment is not in use, during transport and before inspection or maintenance of the hydraulic unit. When changing core bits, or when dismantling the equipment, always ensure that the hydraulic unit is switched off and that the switch lever (I-O) at the DD-750HY motor unit is in the OFF position.
- 3.13 Do not leave tools in position on the equipment (e.g. open-end wrench on nut). Check that all wrenches and setting-up tools have been removed before switching on the hydraulic unit and motor unit.
- 3.14 Use only approved and correspondingly marked electric extension cables. The overall length of the electric cable used must be taken into account, and the appropriate cable cross section (cable diameter) determined accordingly. Electric extension cables should not be coiled on a drum while the equipment is in operation.
- 3.15 Stay alert and carefully observe the progress of your work. Proceed logically and do not use the system and tools when your full concentration is not on the job.
- 3.16 Check the system, motor units, parts, electric cables and hydraulic hoses for damage and correct operation before use. Check that all parts have been assembled correctly and consider all other factors which could influence operation of the equipment. Contact your Hilti representative or Hilti service centre if faults or deficiencies are found. Repairs to electrical parts must be made by a qualified electrical specialist.
- 3.17 The electrical and mechanical safety of the diamond drilling system together with accessories such as electric extension cables must be checked at regular intervals in accordance with national regulations.

The checks applicable to the earth / ground conductor of the hydraulic unit and the electric extension cable leading to the unit are particularly important.
- 3.18 Measures for securing and transporting the cores and concrete blocks that have been cut out must be planned and implemented. Keep the working area clean and tidy and cordon off openings and holes where there may be a risk of falling.
- 3.19 Working on materials that present a health risk is not permissible.
- 3.20 Transportation of the machine, or parts of it, by suspending from a crane is prohibited.
- 3.21 The machine, or parts of it (especially the hydraulic couplings), may get hot during use. Wear protective gloves.
- 3.22 **Before beginning work, check the working area (e.g. using a metal detector) to ensure that no concealed electric cables or gas and water pipes are present.** External metal parts of the machine may become live, for example, when an electric cable is damaged accidentally. This presents a serious risk of electric shock.

- 3.23 **Children must be instructed not to play with the machine.**
- 3.24 **The machine is not intended for use by children, by debilitated persons or those who have received no instruction or training.**
- 3.25 Dust from material such as paint containing lead, some wood species, minerals and metal may be harmful. Contact with or inhalation of the dust may cause allergic reactions and/or respiratory diseases to the operator or bystanders. Certain kinds of dust are classified as carcinogenic such as oak and beech dust especially in conjunction with additives for wood conditioning (chromate, wood preservative). Material containing asbestos may be worked on only by specialists. **Where the use of a dust extraction device is possible it shall be used. To achieve a high level of dust collection, use a suitable vacuum cleaner of the type recommended by Hilti for wood dust and/or mineral dust together with this tool. Ensure that the workplace is well ventilated. The use of a dust mask of filter class P2 is recommended. Observe current national regulations applicable to the materials to be worked on.**

The DD-750HY modular diamond core drilling system



Items supplied:

- DD-750 HY hydraulic drive, 20 ccm
- DD-C-BU chuck
- DD-C-BS chuck 1 1/4"
- Operating instructions
- Cardboard packaging

General description and technical data for the DD-750HY

The DD-750HY is a universal, high-performance core drilling system with a 4-speed gearbox. It is suitable for drilling holes within the range 52 mm – 750 mm dia. It can be powered either by the D-LP 15 hydraulic unit (fixed oil flow rate) or by the D-LP32 (with variable oil flow rate). The modular concept permits angular drilling and the use of different baseplates employing different fastening methods. The DD-750HY can be operated with manual control of drilling feed pressure or with a hydraulic feed unit. The D-R..L rails used by the drilling system can also be used with Hilti wallsaw systems. Diamond core bits incorporating the Hilti DD-BU quick-change interface or with UNC 1/4" threaded connection ends can be fitted.

DD-750HY technical data

Drilling dia. range:	52–750 mm
Power output:	max. 11 KW
Oil flow rate:	max. 60 l/min.
Operating pressure:	max. 170 bar
Motor capacity:	20 ccm
Torque:	max. 710 Nm
Max. permissible water supply pressure:	6 bar
Gearing:	4-speed
Chuck:	DD-C-BU / DD-C-BS
Dimensions of drilling motor (L x W x H):	355 x 215 x 520 mm
Weight (drilling motor):	30 kg
Weight (drilling rig DD-BA 3-70, D-R100-L):	43 kg

Noise and vibration information:

Typical A-weighted sound power level in accordance with ISO 3744:	104 dB(A)
Typical A-weighted emission sound pressure level at the operator's ear using remote control (4 m distance) in accordance with EN 11201:	80 dB (A)
Typical A-weighted emission sound pressure level at the operator's ear using manual control (4 m distance) in accordance with EN 11201:	94 dB (A)

Wear ear protection!

Uncertainty for the given sound level is:	3 dB
-------------------------------------------	------

Total triaxial vibration value at the spider wheel during manual advance, as per ISO 5349 (vibration vector sum)

Drilling in concrete (wet) $a_{h, DD}$:	1.5 m/s ²
Uncertainty K:	1.5 m/s ²

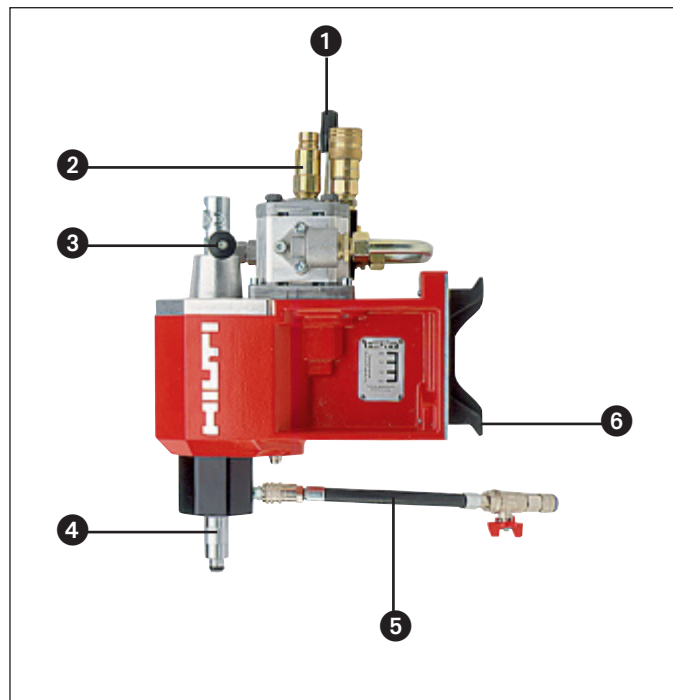
NOTE

The vibration emission level given in this information sheet has been measured in accordance with a standardised test given in EN ISO 5349 and may be used to compare one tool with another. It may be used for a preliminary assessment of exposure. The declared vibration emission level represents the main applications of the tool. However if the tool is used for different applications, with different accessories or poorly maintained, the vibration emission may differ. This may significantly increase the exposure level over the total working period. An estimation of the

General description and technical data for the DD-750HY

level of exposure to vibration should also take into account the times when the tool is switched off or when it is running but not actually doing the job. This may significantly reduce the exposure level over the total working period. Identify additional safety measures to protect the operator from the effects of vibration such as: maintain the tool and the accessories, keep the hands warm, organisation of work patterns.

- 4-speed gearing:
The gears and drilling dia. ranges indicated correspond to a core bit peripheral speed of approx. 3–4 m/s.
 - ② 152–300 mm dia.
 - ④ 52–112 mm dia.
 - ① 300–750 mm dia.
 - ③ 77–152 mm dia.
- With the D-LP 32 hydraulic unit, fine speed adjustment is possible, allowing optimum results
- Overload protection is provided in the form of a hydraulic pressure limiting valve (170 bar).



- ① $\frac{5}{8}$ " hydraulic coupling
- ② On/off lever
- ③ Gear change lever
- ④ Drive shaft
- ⑤ Water connection
- ⑥ Quick-release mount

Spindle speeds with the 20 ccm motor (guide)

Guide value	30 l/min.	45 l/min.	60 l/min.	Comments
D-LP 15 hydraulic unit		●		Fixed oil flow rate
D-LP 32 hydraulic unit	●	●	●	Variable oil flow rate
750HY 1 st speed	97 rpm	136 rpm	194 rpm	300–750 dia.
750HY 2 nd speed	180 rpm	252 rpm	360 rpm	152–300 dia.
750HY 3 rd speed	360 rpm	504 rpm	720 rpm	77–152 dia.
750HY 4 th speed	485 rpm	678 rpm	969 rpm	52–112 dia.

Tools and chucks for diamond core bits:

Item no. 258393

TS20 / 750HY tool set

Item no. 232234

DD-C-BU Hilti quick-change interface

Item no. 232235

DD-C-BS 1 1/4" UNC thread

Item no. 50968

Copper ring for easy release of 1 1/4" core bits

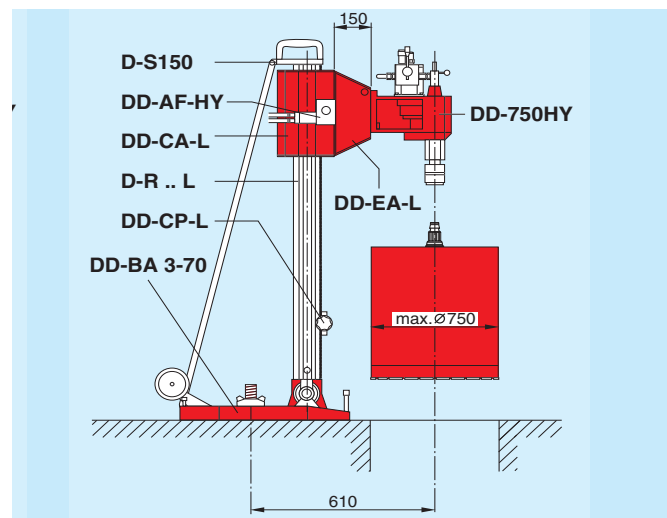
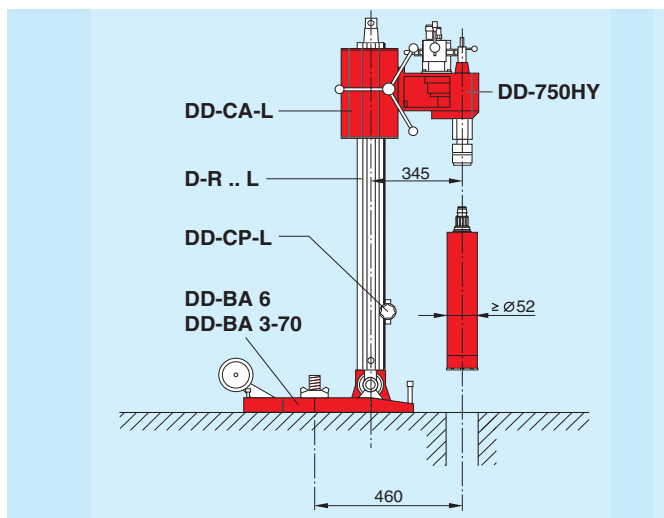


DD-C-BM



DD-C-BS

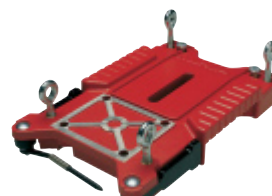
Setting up the system, selecting the baseplate



DD-BA1-70



DD-BA3-70



DD-BA6

Type	Baseplate	Application	Length (mm)	Width (mm)
DD-BA3-70	Large baseplate	Up to 750 mm dia.	850	485
DD-BA-6	Medium baseplate	Up to 400 mm dia.	424	280
DD-BA1-70	Small baseplate	Up to 250 mm dia.	320	220
D-S150	Strut 150	To increase rigidity, as necessary, 202 mm dia. and larger		

Hydraulic units – operation

- ❶ Three-phase 400 V mains supply (380 V, 415 V) with appropriate fuse rating: The switch electronics set the correct direction of rotation automatically. Standard Euro plug as per CEE32.
- ❷ The units employ star / delta type switching (Y- Δ). Starting up takes only a few seconds (max. 5 sec.)
- ❸ Use an extension cable of adequate cross-sectional area. The unit will not start if the voltage supplied is too low or if one of the phases is too weak.
- ❹ The water supply is always connected to the lower coupling on the hydraulic unit. Water pressure should be 4–6 bar, with a flow rate of 10 l/min. (at least 5 l/min.).
- ❺ LP 15 oil level: dipstick
LP 32 oil level: sight glass
- ❻ Keep the hydraulic couplings clean. When connecting the hoses, turn the securing ring after the coupling engages with an audible “click”.
- ❼ Safety-type plugs are fitted. Switch on the unit only after everything has been connected.
- ❽ Switch on at the D-RC-LP32 remote control unit. Do not exceed 60 l/min. when operating the DD-750 HY!
- ❾ Disconnect the water supply hose ❹ after finishing work. The hydraulic unit (oil cooler) then drains automatically.



Technical data:	D-LP15	D-LP32
Nominal power output:	15 kW	32 kW
Supply voltage:	400 V /~50 Hz, 3P+PE	400 V /~50 Hz, 3P+N+PE or 3P+PE
Fuse rating, min.:	16 A	32 A
Fuse rating, max.:	32 A	63 A
Max. operating press.:	180 bar	210 bar
Oil flow rate:	max 45 l/min	30-100 l/min
Weight:	ca. 113 kg	ca. 210 kg
Remote control:	hydraulic	electric 10 m
Remote control:	electric on/off	with extension 20 m
Protection class:	IP44	IP44

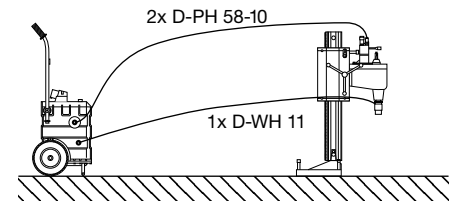
Instructions for maintenance of the hydraulic units

- Check the oil level at weekly intervals and, if necessary, top up with hydraulic oil, type HLP 46 (Hilti item no. 221201).
- The oil should be changed for the first time six months after the unit is put into service. Thereafter, change the oil at yearly intervals and apply the Hilti maintenance sticker. The D-LP 15 has an oil capacity of 20 litres and the D-LP32 contains 35 litres.
- If power output drops when using the hydraulic unit or if the unit fails completely, it can be checked on the spot by a Hilti specialist.
- If the D-LP 15 makes an unusual noise when running, it may be that the oil level is too low or the unit has not reached operating temperature (too cold). If the D-LP32 does not start or suddenly stops, check the oil level (top up) and check that it has not overheated as a result of inadequate cooling.
- When operated in winter or at low temperatures, the hydraulic unit should be allowed to run for a few minutes until warm (with water running) before a load is applied.
- Do not run the hydraulic unit without cooling water. Always keep the water running when operating at temperatures below zero! Disconnect the water supply hose from the unit when work is finished: The unit then drains automatically. **Use only couplings of the free-flow type (without automatic valve) for the water supply to the hydraulic unit!**
- **Note:** If the voltage of one of the three phases is too low, the hydraulic unit will NOT start! Always check the mains supply first!

Power units and control units for use with the DD-750 HY

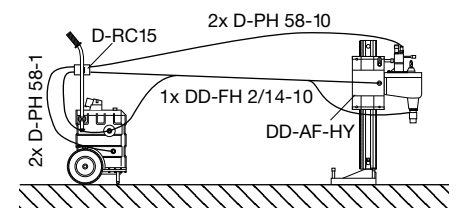
1. The D-LP 15 hydraulic unit

The D-LP 15 is connected directly to the DD-750 HY. The operating controls on the DD-750 HY are used, with feed controlled by the handwheel or by the DD-MF-ML fine feed unit.



2. The D-LP 15 hydraulic unit and D-RC 15 remote control unit

The system is operated from the D-RC 15, making use of the DD-AF-HY hydraulic feed unit. It can be used in conjunction with the handwheel. If necessary, the DD-AF-HY can be switched off by pulling out the knob. Drilling can then continue with manual feed control.



3. The D-LP 32 hydraulic unit

The DD-750 HY can be operated directly with manual feed control as described at section 1. The DD-AF-HY automatic feed unit (if used) can be connected directly to the D-LP 32 and controlled by the D-RC-LP32 remote control unit with a maximum oil flow rate of 60 l/min. Reducing couplings are used for connecting the units in this configuration.

MF^{3/4"}-^{5/8"} coupling

Item no. 241632, PH58^{5/8"} hydraulic hose to LP 32

FM^{3/4"}-^{5/8"} coupling

Item no. 241633, PH58^{5/8"} hydraulic hose to LP 32

MF^{3/4"}-^{5/8"} angular coupling

Item no. 241622, PH34^{3/4"} hydraulic hose to 750 HY

FM^{3/4"}-^{5/8"} angular coupling

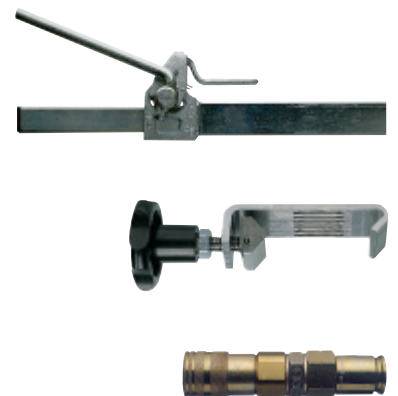
Item no. 241621, PH34^{3/4"} hydraulic hose to 750 HY

4. Using the DD-750 HY for drilling vertically upwards

● A suitable means of fastening (anchor) must be used to fasten the base plate (capable of taking up a min. tensile force of 12.6 kN). Use the Hilti quick-release brace, item no. 51230, as a setting-up aid.

● Use the DD-CP-L clamping piece, item no. 235929, to prevent the motor unit and carriage from sliding down or falling off the column when drilling in this position.

● When the DD-AF-HY automatic feed unit is used, the ^{5/8"} pressure coupling, item no. 241634, must be fitted to the pressure hose. The resulting opposing pressure permits the carriage to be moved upwards even when the drilling motor is not rotating (no pressure from load applied).



5. Using the DD-750 HY for underwater drilling

Basically speaking, this is possible. Your Hilti specialist can provide further information.

6. Using the cross column adaptor or other modules

Please refer to the separate operating instructions for the other Hilti diamond core drilling systems.

Setting up, checking and operating the hydraulic drilling system

1. Points to check before beginning drilling

- The rig must be securely fastened and all quick-release connections tight.
- Hydraulic hoses must be connected and secured.
- The core bit or core bit extension must be tightened securely.
- The correct coring speed must be selected (change gear only when rotation has stopped).
- Check the electric power and water connections and ensure that they are ready for use.
- The working area must be secured (cordoned off where necessary).

-DANGER-

Do not use damaged core bits. Check the core bits for chipping, cracks, or heavy wear each time before use. Do not use damaged tools. Fragments of the workpiece or a broken core bit may be ejected and cause injury beyond the immediate area of operation.

-NOTE-

Diamond core bits must be replaced when the cutting performance and/or rate of drilling progress drops significantly. This generally is the case when the segments reach a height of less than 2 mm.

2. Operating the drilling system

- Ensure that all levers / oil flow switches are set to “0” (OFF) and the maximum current input is set to 50 amps on the D-LP32.
- Open the water valve and switch on the hydraulic unit – “I” (ON).
- Release the feed movement locking device and bring the core bit into contact with the concrete surface.
- Start the DD-750 HY drive unit: D-LP15 - Set the valve control lever on the DD-750 HY (and, where applicable, on the D-RC15) to the I = ON position. D-LP 32 - Set the valve control lever on the DD-750 HY to the I = ON position, start the unit by way of the remote control and set the desired oil flow rate (max. 60 l/min).
- Begin drilling gently, using manual or automatic feed control, and then increase to full power.
- Adjust the feed pressure so that the core bit maintains a constant, high speed (r.p.m.).
- After breaking through, withdraw the core bit from the hole while rotating and with water still flowing. Switch off the water and stop the motor. Remove the core.
- Switch off the hydraulic unit, disassemble the equipment and clean the parts or set up the rig at the next location.

3. Additional information and tips

- Reduce speed (r.p.m.) when necessary, if vibration occurs or steel reinforcement is contacted.
- Water flow rate from the hydraulic unit in l/min., depending on diameter (guide):

up to approx. 150 mm dia.	up to approx. 250 mm dia.	up to approx. 400 mm dia.	up to approx. 750 mm dia.
approx. 5 l/min.	approx. 6 l/min.	approx. 8 l/min.	approx. 10 l/min.

- Drilling performance depends on core bit diameter, the base material (concrete quality and abrasiveness) and the number of rebars. Please refer to the documentation on diamond core bits for information. As a rough guide, a 250 mm dia. core bit in concrete of medium abrasiveness should achieve a drilling progress rate of approx. 5 cm/min.
- Please refer to the documentation on diamond core bits for further information and tips.
- Please refer to "Disassembly and maintenance", section 5, for instructions on how to release jammed core bits.
- An extension can be used for drilling deep holes (the core must be broken out and removed piece by piece). Alternatively, a longer diamond core bit can be used (special lengths available on request).
- Underwater drilling: The DD-750HY can be operated under water. A water or air supply is required. Contact your Hilti specialist for further information.
- Drilling in an upwards direction is possible without any limitations. The motor unit requires no special water protection.
- Take breaks between working and improve the blood circulation in your hands by alternately exercising and relaxing your fingers.
- Wear the emergency off button (D-LP 15) or remote control unit (D-LP 32) with the shoulder strap while the hydraulic coring machine is in operation so that the hydraulic unit can be switched off immediately in the event of an emergency.

CAUTION

Disconnect the mains plug from the power outlet.

CAUTION

Keep the machine, especially its grip surfaces, clean and free from oil and grease. Do not use cleaning agents which contain silicone.

1. Dissassembly of the DD-750 HY

- a) Remove the core bit, remove the core from the bit and secure the items to prevent falling.
- b) Disassemble the machine following the assembly instructions in the reverse order.
- c) Where necessary, secure the opening you have made (cordon off).
- d) Clean the DD-750 HY diamond coring machine by hosing it down and then wiping it dry with a cloth.

If a high-pressure cleaning system is used, keep the nozzle at least 30 cm away from the machine and don't point the jet directly at seals, bearings or other sensitive parts.

2. Maintenance of the hydraulic unit – see D-LP 15 or D-LP 32 operating instructions

3. Maintenance of the DD-750 HY motor unit

- The motor unit requires no maintenance.
- Coupling interfaces should always be kept clean and protected from impact damage.
- Keep the chuck and quick-release mounting interfaces clean. Lubricate with Hilti oil spray.

4. Maintenance of the other modules

- DD-CA-L carriage: The rollers require no maintenance. Check at regular intervals that the carriage runs on the rails without play. Readjust the rollers as necessary. Keep the quick-release mounting interfaces clean.
- D-R..L rails: Keep the rails clean. Pay special attention to internal tapers.
- The baseplates require no maintenance. Keep the tapers clean.
- Use water to clean the hydraulic hoses. Keep the couplings clean.

5. Releasing jammed core bits

If the core bit jams, the machine must be switched off immediately. The core bit can then be released as follows:

1. Disconnect the equipment from the electric supply.
2. Grip the core bit close to the connection end with a suitable open-end wrench and release it by turning with the wrench while rotating the spider wheel.
3. Reconnect the equipment to the electric supply.
4. Continue drilling.

If the core bit cannot be released by following these instructions, a special extractor tool must be used.

6. Transport and storage

NOTE

- Transport the drive unit, rig and core bit as separate units.
- Use the wheel assembly (accessory) as a transport aid.
- Open the water regulating valve before storing the machine. Especially at temperatures below freezing point, check to ensure that all water is drained from the machine.

Disposal

Disposal of the machine



Return waste material for recycling

- Machine and packaging must be sorted for environment-friendly recycling.
- Plastic components are marked to facilitate categorized recycling.



Only for EU countries

Disposal of electric tools together with other household waste is not permissible!

In observance of European Directive on waste electrical and electronic equipment and its implementation in accordance with national law, electric tools that have reached the end of their life must be collected separately and returned to an environmentally compatible recycling facility.

Disposal of drilling and sawing slurry

- With regard to environmental aspects, allowing drilling or sawing slurry to flow directly into rivers, lakes or the sewerage system without suitable pre-treatment is problematical.
- In addition to the following recommended pre-treatment procedures, the applicable national regulations must be observed when disposing of drilling or sawing slurry. Ask the local authorities concerned for further information.

We recommend the following pre-treatment

- Collect the drilling and sawing slurry (e.g. using a suitable industrial vacuum cleaner).
- The fine content of the drilling and sawing slurry should be separated from the water by allowing it to settle (e.g. leave standing for some time or add a coagulation agent).
- Solid material from the drilling and sawing slurry should be deposited at a construction waste disposal site.
- Water from the drilling and sawing slurry should be neutralized (e.g. by adding a large quantity of water or other neutralization agents) before it is allowed to flow into the sewerage system.

Manufacturer's warranty – tools / EC declaration of conformity (original)

Manufacturer's warranty – tools

Please contact your local Hilti representative if you have questions about the warranty conditions.

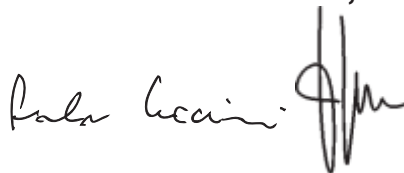
EC declaration of conformity (original)

Designation:	Hydraulic diamond core drilling system
Type:	DD-750 HY / D-LP 15 / D-LP 32
Year of design:	1992

We declare, on our sole responsibility, that this product complies with the following directives and standards:

until 19th April 2016: 2004/108/EC, from 20th April 2016: 2014/30/EU, 2006/42/EC, 2011/65/EU, EN 60204-1, EN 12100.

**Hilti Corporation,
Feldkircherstrasse 100, FL-9494 Schaan**



Paolo Luccini
Head of BA Quality and
Process Management
Business Area Electric
Tools & Accessories

06 / 2015

Johannes Wilfried Huber
Senior Vice President
Business Unit Diamond

06 / 2015

Technical documentation filed at:
Hilti Entwicklungsgesellschaft mbH
Zulassung Elektrowerkzeuge
Hiltistrasse 6
86916 Kaufering
Deutschland



Hilti Corporation

LI-9494 Schaan

Tel.: +423/234 21 11

Fax: +423/234 29 65

www.hilti.com

