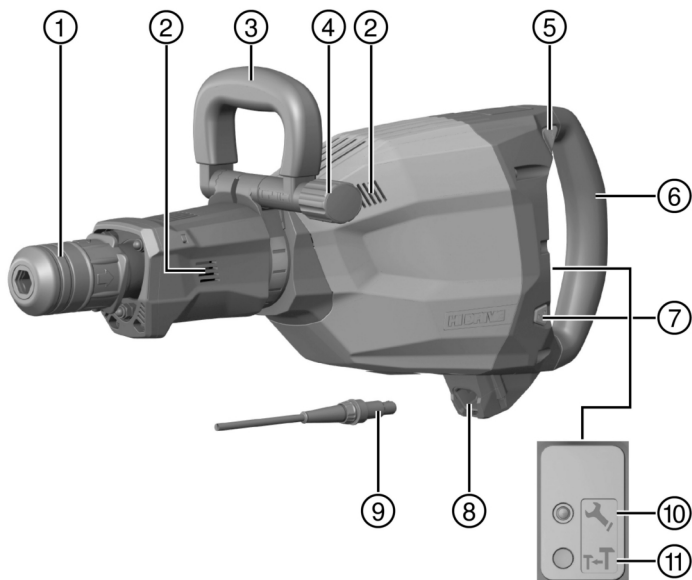
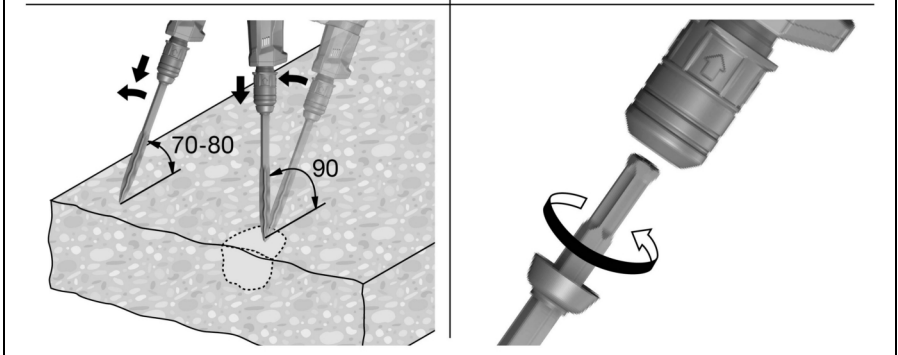
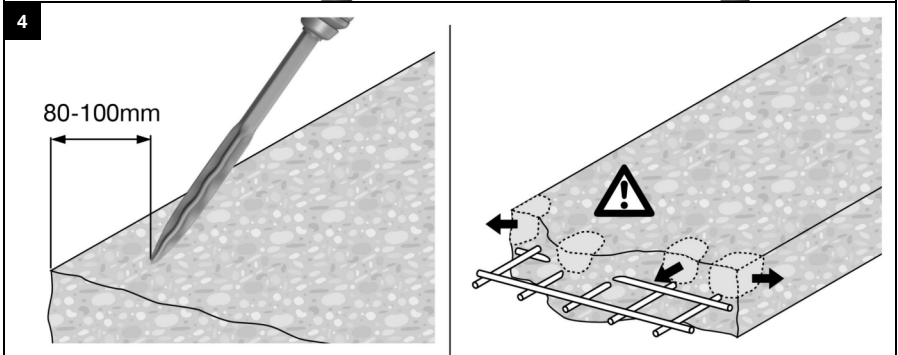
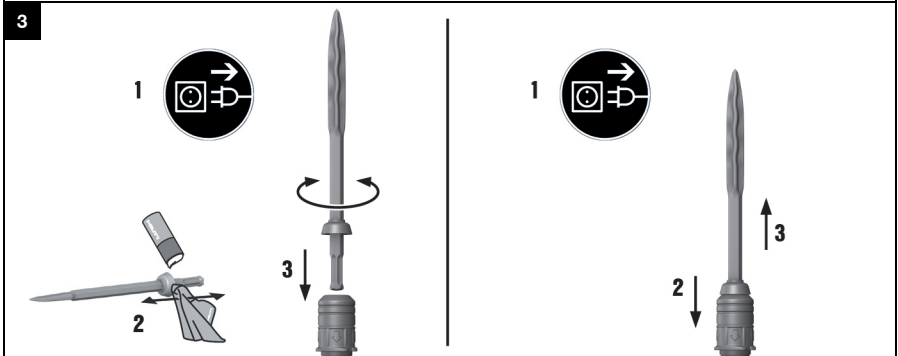
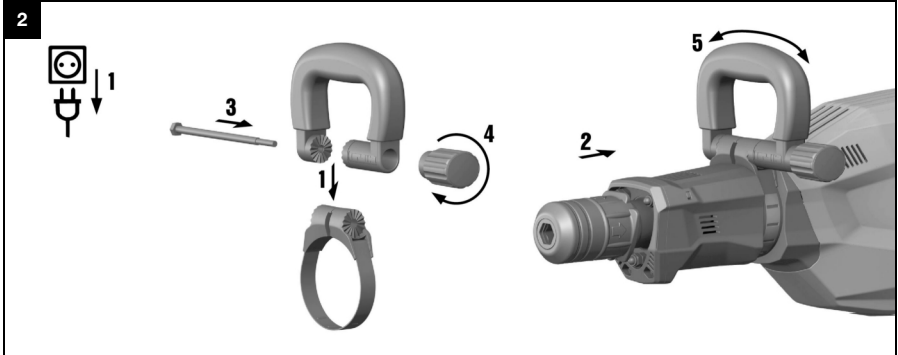




TE 1000-AVR (01)

English	1
Français	10
Español	19
Português	30





TE 1000-AVR

en	Original operating instructions	1
fr	Mode d'emploi original	10
es	Manual de instrucciones original	19
pt	Manual de instruções original	30

Original operating instructions

1 Information about the operating instructions

1.1 About these operating instructions

- **Warning!** Read and understand all accompanying documentation, including but not limited to instructions, safety warnings, illustrations, and specifications provided with this product. Familiarize yourself with all the instructions, safety warnings, illustrations, specifications, components, and functions of the product before use. Failure to do so may result in electric shock, fire, and/or serious injury. Save all warnings and instructions for future reference.
- products are designed for professional users and only trained, authorized personnel are permitted to operate, service and maintain the products. This personnel must be specifically informed about the possible hazards. The product and its ancillary equipment can present hazards if used incorrectly by untrained personnel or if used not in accordance with the intended use.
- The accompanying documentation corresponds to the current state of the art at the time of printing. Please always check for the latest version on the product's page on Hilti's website. To do this, follow the link or scan the QR code in this documentation, marked with the symbol
- Ensure that these operating instructions are with the product when it is given to other persons.

1.2 Explanation of symbols

1.2.1 Warnings

Warnings alert persons to hazards that occur when handling or using the product. The following signal words are used:

DANGER

DANGER !

- ▶ Draws attention to imminent danger that will lead to serious personal injury or fatality.

WARNING

WARNING !

- ▶ Draws attention to a potential threat of danger that can lead to serious injury or fatality.

CAUTION

CAUTION !

- ▶ Draws attention to a potentially dangerous situation that could lead to personal injury or damage to the equipment or other property.

1.2.2 Symbols in the operating instructions

The following symbols are used in these operating instructions:



	Comply with the operating instructions
	Instructions for use and other useful information
	Dealing with recyclable materials
	Do not dispose of electric equipment and batteries as household waste

1.2.3 Symbols in illustrations

The following symbols are used in illustrations:

2	These numbers refer to the illustrations at the beginning of these operating instructions.
3	The numbers in illustrations refer to important work steps or to components important for the work steps. In the text, the corresponding numbers draw attention to these work steps or components, e.g. (3) .



	Item reference numbers are used in the overview illustration and refer to the numbers used in the key in the product overview section.
	This symbol is intended to draw your special attention to certain points for handling the product.

1.3 Symbols on the product

1.3.1 Symbols on the product

The following symbols are used on the product:

	Protection class II (double-insulated)
---	--

2 Safety

2.1 General power tool safety warnings

⚠ WARNING Read all safety warnings, instructions, illustrations and specifications provided with this power tool. Failure to follow all instructions listed below may result in electric shock, fire and/or serious injury. **Save all warnings and instructions for future reference.**

The term "power tool" in the warnings refers to your mains-operated (corded) power tool or battery-operated (cordless) power tool.

Work area safety

- ▶ **Keep work area clean and well lit.** Cluttered or dark areas invite accidents.
- ▶ **Do not operate power tools in explosive atmospheres, such as in the presence of flammable liquids, gases or dust.** Power tools create sparks which may ignite the dust or fumes.
- ▶ **Keep children and bystanders away while operating a power tool.** Distractions can cause you to lose control.

Electrical safety

- ▶ **Power tool plugs must match the outlet. Never modify the plug in any way. Do not use any adapter plugs with earthed (grounded) power tools.** Unmodified plugs and matching outlets will reduce risk of electric shock.
- ▶ **Avoid body contact with earthed or grounded surfaces, such as pipes, radiators, ranges and refrigerators.** There is an increased risk of electric shock if your body is earthed or grounded.
- ▶ **Do not expose power tools to rain or wet conditions.** Water entering a power tool will increase the risk of electric shock.
- ▶ **Do not abuse the cord. Never use the cord for carrying, pulling or unplugging the power tool. Keep cord away from heat, oil, sharp edges or moving parts.** Damaged or entangled cords increase the risk of electric shock.
- ▶ **When operating a power tool outdoors, use an extension cord suitable for outdoor use.** Use of a cord suitable for outdoor use reduces the risk of electric shock.
- ▶ **If operating a power tool in a damp location is unavoidable, use a residual current device (RCD) protected supply.** Use of an RCD reduces the risk of electric shock.

Personal safety

- ▶ **Stay alert, watch what you are doing and use common sense when operating a power tool. Do not use a power tool while you are tired or under the influence of drugs, alcohol or medication.** A moment of inattention while operating power tools may result in serious personal injury.
- ▶ **Use personal protective equipment. Always wear eye protection.** Protective equipment such as a dust mask, non-skid safety shoes, hard hat or hearing protection used for appropriate conditions will reduce personal injuries.
- ▶ **Prevent unintentional starting. Ensure the switch is in the off-position before connecting to power source and/or battery pack, picking up or carrying the tool.** Carrying power tools with your finger on the switch or energising power tools that have the switch on invites accidents.
- ▶ **Remove any adjusting key or wrench before turning the power tool on.** A wrench or a key left attached to a rotating part of the power tool may result in personal injury.
- ▶ **Do not overreach. Keep proper footing and balance at all times.** This enables better control of the power tool in unexpected situations.
- ▶ **Dress properly. Do not wear loose clothing or jewellery. Keep your hair and clothing away from moving parts.** Loose clothes, jewellery or long hair can be caught in moving parts.



- ▶ **If devices are provided for the connection of dust extraction and collection facilities, ensure these are connected and properly used.** Use of dust collection can reduce dust-related hazards.
- ▶ **Do not let familiarity gained from frequent use of tools allow you to become complacent and ignore tool safety principles.** A careless action can cause severe injury within a fraction of a second.

Power tool use and care

- ▶ **Do not force the power tool. Use the correct power tool for your application.** The correct power tool will do the job better and safer at the rate for which it was designed.
- ▶ **Do not use the power tool if the switch does not turn it on and off.** Any power tool that cannot be controlled with the switch is dangerous and must be repaired.
- ▶ **Disconnect the plug from the power source and/or remove the battery pack, if detachable, from the power tool before making any adjustments, changing accessories, or storing power tools.** Such preventive safety measures reduce the risk of starting the power tool accidentally.
- ▶ **Store idle power tools out of the reach of children and do not allow persons unfamiliar with the power tool or these instructions to operate the power tool.** Power tools are dangerous in the hands of untrained users.
- ▶ **Maintain power tools and accessories. Check for misalignment or binding of moving parts, breakage of parts and any other condition that may affect the power tool's operation. If damaged, have the power tool repaired before use.** Many accidents are caused by poorly maintained power tools.
- ▶ **Keep cutting tools sharp and clean.** Properly maintained cutting tools with sharp cutting edges are less likely to bind and are easier to control.
- ▶ **Use the power tool, accessories and tool bits etc. in accordance with these instructions, taking into account the working conditions and the work to be performed.** Use of the power tool for operations different from those intended could result in a hazardous situation.
- ▶ **Keep handles and grasping surfaces dry, clean and free from oil and grease.** Slippery handles and grasping surfaces do not allow for safe handling and control of the tool in unexpected situations.

Service

- ▶ **Have your power tool serviced by a qualified repair person using only identical replacement parts.** This will ensure that the safety of the power tool is maintained.

2.2 Hammer safety warnings

Safety instructions for all operations

- ▶ **Wear ear protectors.** Exposure to noise can cause hearing loss.
- ▶ **Use auxiliary handle(s), if supplied with the tool.** Loss of control can cause personal injury.
- ▶ **Hold the power tool by insulated gripping surfaces, when performing an operation where the cutting accessory may contact hidden wiring or its own cord.** Cutting accessory contacting a "live" wire may make exposed metal parts of the power tool "live" and could give the operator an electric shock.

2.3 Additional safety instructions

Personal safety

- ▶ Use the product only when it is in technically faultless condition.
- ▶ Never tamper with or modify the power tool in any way.
- ▶ The user and persons in the vicinity must wear suitable protective goggles, a hard hat, protective gloves and protective footwear while the device is in use.
- ▶ Wear protective gloves when changing accessory tools as they get hot during use.
- ▶ Apply appropriate safety measures at the opposite side of the workpiece in work that involves breaking through. Parts breaking away could fall out and / or fall down causing injury to other persons.
- ▶ Check that the side handle is fitted correctly and tightened securely. Always hold the tool securely with both hands on the grips provided. Keep the grips dry, clean and free from oil and grease.
- ▶ Take breaks between working and do physical exercises to improve the blood circulation in your fingers. Exposure to vibration during long periods of work can lead to disorders of the blood vessels and nervous system in the fingers, hands and wrists.
- ▶ The tool is not intended for use by debilitated persons who have received no special training.
- ▶ Keep the power tool out of reach of children.
- ▶ Before starting work, check the hazard class of the dust that will be produced when working. Use an industrial vacuum cleaner with an officially approved protection classification in compliance with locally applicable dust protection regulations.



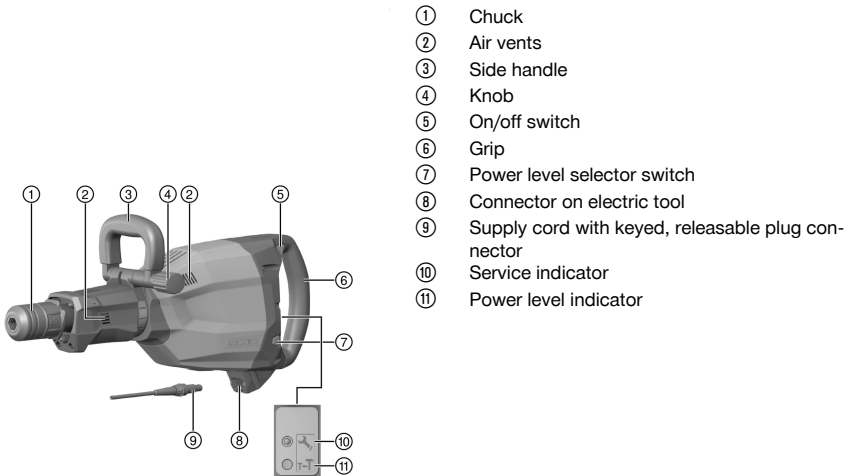
- ▶ Use a dust removal system and suitable mobile dust extractor whenever possible. Dust from materials such as lead-based paint, certain types of wood and concrete/masonry/stone containing quartz, minerals or metal can be harmful to health.
- ▶ Make sure that the workplace is well ventilated and, where necessary, wear a dust mask appropriate for the type of dust generated. Contact with or inhalation of the dust may cause allergic reactions and/or respiratory or other diseases to the operator or bystanders. Certain kinds of dust, such as oak and beech dust, are classified as carcinogenic, especially in conjunction with additives for treating wood (chromate, wood preservative). Only specialists are permitted to handle material containing asbestos.
- ▶ Approval must be obtained from the site engineer or architect prior to beginning the work. Work on buildings and other structures may influence the statics of the structure, especially when steel reinforcing bars or load-bearing components are cut through.

Electrical safety

- ▶ Before beginning work, check the working area for concealed electric cables or gas and water pipes. External metal parts of the power tool may give you an electric shock if you damage an electric cable accidentally.
- ▶ Check the power tool's supply cord at regular intervals and have it replaced by a qualified specialist if found to be damaged. If the power tool's supply cord is damaged it must be replaced with a specially-prepared and approved supply cord available from Hilti Customer Service. Check extension cords at regular intervals and replace them if found to be damaged. Do not touch the supply cord or extension cord if it is damaged while working. Disconnect the supply cord plug from the power outlet. Damaged supply cords or extension cords present a risk of electric shock.
- ▶ Dirty or dusty power tools that have been used frequently for work on conductive materials should be checked at regular intervals at a **Hilti** Service Center. Dust (especially dust from conductive materials) or dampness adhering to the surface of the power tool may, under unfavorable conditions, lead to electric shock.
- ▶ Switch the power tool off and unplug the supply cord in the event of a power failure or interruption in the electric supply. This will prevent accidental restarting when the electric power returns.

3 Description

3.1 Product overview



3.2 Intended use

The product described is an electrically powered breaker for heavy chiseling work. It is designed for breaking or demolishing concrete, masonry, stone and asphalt.

- Operation is permissible only when connected to a power source providing a voltage and frequency in compliance with the information given on the type identification plate.

3.3 Possible misuse

This product is not suitable for working on hazardous materials.
This product is not suitable for working in a damp environment.

3.4 Active Vibration Reduction (AVR)

The breaker is equipped with an Active Vibration Reduction (AVR) system, which reduces vibration significantly.

3.5 Power level indicator

The breaker is equipped with a power level indicator LED.
Chiseling power can be reduced to approx. 70% by pressing the power level selector switch. The power level LED then lights up, indicating reduced power.

3.6 Service indicator information

The breaker is equipped with a service indicator LED.

Status	Meaning
The service indicator lights red.	End of service interval – servicing is due. A fault has occurred in the tool.
The service indicator blinks red.	The overheating prevention cut-out has been activated. The voltage provided by the electric supply is too high.



Bring the product to **Hilti Service** in good time. This will help to ensure that it's always ready for use.

3.7 Items supplied

Breaker, side handle, operating instructions.

Other system products approved for use with this product can be found at your local **Hilti Store** or at: www.hilti.group

4 Technical data

4.1 Technical data



For details of the rated voltage, current, frequency and/or input power, please refer to the power tool's country-specific type identification plate.

When powered by a generator or transformer, the generator or transformer's power output must be at least twice the rated input power shown on the rating plate of the power tool. The operating voltage of the transformer or generator must always be within +5% and -15% of the rated voltage of the power tool.

	TE 1000-AVR
Product generation	02
Weight	27.6 lb (12.5 kg)
Single impact energy	26 J



4.1.1 Using extension cords

WARNING

A damaged supply cord presents a hazard! Do not touch the supply cord or extension cord if damaged while working. Disconnect the supply cord plug from the power outlet.

- ▶ Check the appliance's supply cord at regular intervals and have it replaced by a qualified specialist if found to be damaged.
-
- Use only extension cords of a type approved for the application and with conductors of adequate gauge (cross section). The power tool may otherwise suffer a drop in performance and the extension cord may overheat.
 - Check the extension cord for damage at regular intervals.
 - Replace damaged extension cords.
 - When working outdoors, use only extension cords that are approved and correspondingly marked for this application.

Recommended minimum conductor cross-section and maximum power-cord length for 120V supply voltage

Cord	AWG 16	AWG 14	AWG 12	AWG 10
Conductor cross-section	1,31 mm ²	2,08 mm ²	3,31 mm ²	5,26 mm ²
Conductor cross-section	2,58 kcmil	4,11 kcmil	6,53 kcmil	10,4 kcmil
Cord length	25 m	30 m	50 m	100 m
Cord length	75 ft	100 ft	150 ft	250 ft

5 Operation

5.1 Preparations at the workplace

CAUTION

Risk of injury! Inadvertent starting of the product.

- ▶ Unplug the supply cord before making adjustments to the power tool or before changing accessories.

Observe the safety instructions and warnings in this documentation and on the product.

5.1.1 Fitting and adjusting the side handle

CAUTION

Risk of injury! Loss of control over the breaker.

- ▶ Check that the side handle is fitted correctly and tightened securely.
-
- ▶ Fit or adjust the side handle.



The instructions provided with the side handle must also be observed.

5.1.2 Detachable supply cord

CAUTION

Risk of injury! Due to leakage current as a result of dirty contacts.

- ▶ Connect the detachable electric connector to the electric tool only when it is clean and dry and when the supply cord is unplugged from the power outlet.
-
- ▶ Connect / disconnect the detachable supply cord.

5.1.2.1 Connecting the detachable supply cord

1. Push the keyed releasable electric connector into the socket on the power tool as far as it will go.
2. Turn the plug connector clockwise until it is heard to engage.
3. Plug the supply cord into the power outlet.



5.1.2.2 Disconnecting the detachable supply cord

1. Unplug the supply cord from the power outlet.
2. Turn the keyed releasable electric connector counterclockwise as far as it will go.
3. Pull the supply cord connector out of the power tool.

5.1.3 Fitting the accessory tool

1. Apply a little grease to the connection end of the accessory tool.
2. Push the accessory tool into the chuck as far as it will go, turning it and applying light pressure until it engages with an audible click.
 - ▶ The product is ready for use.

Use only the recommended grease supplied by **Hilti**. Use of unsuitable grease may cause damage to the product.

5.1.4 Removing the accessory tool

WARNING

Risk of injury! The accessory tool gets hot during use and may also have sharp edges.

- ▶ Wear protective gloves when changing the tool.
-

DANGER

Risk of fire! Risk of contact between the hot accessory tool and highly inflammable materials.

- ▶ Do not lay the hot accessory tool down on highly inflammable materials.
-

1. Pull the chuck back.
2. Remove the accessory tool.

5.2 Types of work

CAUTION

Risk of damage by incorrect handling!

- ▶ Do not operate the switches for direction of rotation and/or function selection during operation.
-

Observe the safety instructions and warnings in this documentation and on the product.

5.2.1 Chiseling

The chisel can be adjusted to 6 different positions (in 60° increments). This ensures that flat chisels and shaped chisels can always be set to the optimum working position.

If inadequate pressure is applied, the chisel will jump around uncontrollably. Application of excessive pressure will result in a loss of chiseling performance.

1. Plug the supply cord into the power outlet.
2. Bring the chisel into contact with the workpiece about 80 - 100 mm (3 1/8" - 4") from its edge.
3. Begin with the chisel positioned at an angle of 70° to 80° to the concrete surface, with the tip of the chisel pointing toward the edge of the workpiece. Break material away by subsequently increasing the angle to approx. 90° as the chisel penetrates.
 - ▶ When working close to reinforcing bars, always guide the tip of the chisel toward the edge of the workpiece, not toward a reinforcing bar.
4. Rotate the chisel regularly to help ensure even wear and to promote the self-sharpening process.

5.2.2 Setting the chiseling power

- ▶ Press the power level selector switch.
 - ▶ Chiseling power can be reduced to approx. 70% by pressing the power level selector switch.
-

Chiseling power can be adjusted only when the power tool is switched on and ready for use. To reselect full chiseling power, press the chiseling power level selector switch again. Switching off and then on again also causes the power tool to return to full chiseling power.



6 Care and maintenance

WARNING

Electric shock hazard! Attempting care and maintenance with the supply cord connected to a power outlet can lead to severe injury and burns.

- ▶ Always unplug the supply cord before carrying out care and maintenance tasks.

Care

- Carefully remove stubborn dirt from the tool.
- Clean the air vents carefully with a dry brush.
- Use only a slightly damp cloth to clean the casing. Do not use cleaning agents containing silicone as they can attack the plastic parts.

Maintenance

WARNING

Danger of electric shock! Improper repairs to electrical components may lead to serious injuries including burns.

- ▶ Repairs to the electrical section of the tool or appliance may be carried out only by trained electrical specialists.
- Check all visible parts and controls for signs of damage at regular intervals and make sure that they all function correctly.
- Do not operate the product if signs of damage are found or if parts malfunction. Have it repaired immediately by Hilti Service.
- After cleaning and maintenance, fit all guards or protective devices and check that they function correctly.



To help ensure safe and reliable operation, use only genuine Hilti spare parts and consumables. Spare parts, consumables and accessories approved by Hilti for use with the product can be found at your local **Hilti Store** or online at: www.hilti.group.

6.1 Cleaning the dust shield

- ▶ Clean the dust shield on the chuck with a dry, clean cloth at regular intervals.
- ▶ Clean the sealing lip by wiping it carefully and then grease it again lightly with **Hilti** grease.
- ▶ It is essential that the dust shield is replaced if the sealing lip is damaged.

7 Transport and storage

- Do not transport electric tools with accessory tools fitted.
- Always unplug the supply cord before storing an electric tool or appliance.
- Store tools and appliances in a dry place where they cannot be accessed by children or unauthorized persons.
- Check electric tools or appliances for damage after long periods of transport or storage.

8 Troubleshooting

If the trouble you are experiencing is not listed in this table or you are unable to remedy the problem by yourself, please contact **Hilti** Service.

8.1 Troubleshooting

Trouble or fault	Possible cause	Action to be taken
The power tool doesn't start.	Electronics initialization in progress (takes up to 4 seconds after plugging in). The electronic restart interlock is activated after an interruption in the electric supply.	▶ Switch the power tool off and then on again.
	Interruption in the electric supply.	▶ Plug in another electric tool or appliance and check whether it works.



Trouble or fault	Possible cause	Action to be taken
The power tool doesn't start.	The generator is in sleep mode.	▶ Apply a load to the generator by connecting a second power consumer (e.g. worklight). Switch the tool off and then on again.
	The detachable supply cord is not fitted correctly.	▶ Fit the detachable supply cord to the power tool correctly.
The service indicator lights red.	The tool is faulty or servicing is due.	▶ Have the product repaired only by Hilti Service.
The service indicator blinks red.	The voltage provided by the electric supply is too high.	▶ Use a different power outlet. Check the electric supply.
	The overheating prevention cut-out has been activated.	▶ Allow the tool to cool down. Clean the air vents. Running under no load is still possible.
No hammering action.	The power tool is too cold.	▶ Bring the tip of the accessory tool into contact with the working surface, switch the power tool on and allow it to run. If necessary, repeat the procedure until the hammering mechanism begins to operate.
The tool does not achieve full power.	Power reduction is active.	▶ Press the power level selector switch (observe the power level indicator). Unplug the power tool from the electric supply and then plug it back in.
	The extension cord is too long or its gauge is inadequate.	▶ Use an extension cord of an approved length and / or of adequate gauge.
	The voltage provided by the electric supply is too low.	▶ Connect the power tool to a different power source.
The chisel cannot be released from the chuck.	The chuck is not pulled back fully.	▶ Pull the tool lock back as far as it will go and remove the insert tool.
The power tool switches itself off while running.	The overheating prevention cut-out has been activated.	▶ Allow the tool to cool down. Clean the air vents. Running under no load is still possible.

9 Disposal

Most of the materials from which **Hilti** tools and appliances are manufactured can be recycled. The materials must be correctly separated before they can be recycled. In many countries, your old tools, machines or appliances can be returned to **Hilti** for recycling. Ask **Hilti** Service or your Hilti representative for further information.



- ▶ Do not dispose of power tools, electronic equipment or batteries as household waste!

10 Manufacturer's warranty

- ▶ Please contact your local **Hilti** representative if you have questions about the warranty conditions.



Mode d'emploi original

1 Indications relatives au mode d'emploi

1.1 À propos de ce mode d'emploi

- **Avertissement !** Il convient de lire et comprendre toute la documentation jointe, y compris, sans s'y limiter, les instructions, avertissements de sécurité, illustration et spécifications fournies avec le présent produit. Prenez connaissance de toutes les instructions, avertissements de sécurité, illustrations, spécifications et fonctions du produit avant de l'utiliser. Tout manquement à cette obligation peut entraîner un choc électrique, un incendie, et/ou des blessures graves. Conservez l'ensemble des avertissements et instructions pour consultation ultérieure.
- Les produits sont destinés aux professionnels et ne doivent être utilisés, entretenus et réparés que par un personnel autorisé et formé. Ce personnel doit être spécialement instruit quant aux dangers inhérents à l'utilisation de l'appareil. Le produit et ses accessoires peuvent s'avérer dangereux s'ils sont utilisés de manière incorrecte par un personnel non qualifié ou de manière non conforme à l'usage prévu.
- La documentation ci-jointe correspond à l'état actuel de la technique à la date d'impression. Veuillez toujours consulter la dernière version sur la page du produit sur le site Internet de Hilti. Pour ce faire, suivez le lien ou scannez le code QR dans la documentation, indiqué par le symbole .
- Ne pas prêter ou céder le produit à un autre utilisateur sans lui fournir le présent mode d'emploi.

1.2 Explication des symboles

1.2.1 Avertissements

Les avertissements attirent l'attention sur des dangers liés à l'utilisation du produit. Les termes de signalisation suivants sont utilisés :

DANGER

DANGER !

- ▶ Pour un danger imminent qui peut entraîner de graves blessures corporelles ou la mort.

AVERTISSEMENT

AVERTISSEMENT !

- ▶ Pour un danger potentiel qui peut entraîner de graves blessures corporelles ou la mort.

ATTENTION

ATTENTION !

- ▶ Pour une situation potentiellement dangereuse pouvant entraîner des blessures corporelles ou des dégâts matériels.

1.2.2 Symboles dans le manuel d'utilisation

Les symboles suivants sont utilisés dans le présent manuel d'utilisation :

	Respecter le manuel d'utilisation
	Pour des conseils d'utilisation et autres informations utiles
	Maniement des matériaux recyclables
	Ne pas jeter les appareils électriques et les accus dans les ordures ménagères

1.2.3 Symboles dans les illustrations

Les symboles suivants sont utilisés dans les illustrations :

- 2** Ces chiffres renvoient à l'illustration correspondante au début du présent manuel d'utilisation.



3	La numérotation dans les illustrations indique les étapes de travail importantes ou les composants importants pour les étapes de travail. Dans le texte, ces étapes de travail ou composants sont mis en évidence avec les numéros correspondants, par ex. (3) .
	Les numéros de position sont utilisés dans l'illustration Vue d'ensemble et renvoient aux numéros des légendes dans la section Vue d'ensemble du produit .
	Ce signe doit inviter à manier le produit en faisant particulièrement attention.

1.3 Symboles sur le produit

1.3.1 Symboles sur le produit

Les symboles suivants sont utilisés sur le produit :

	Classe de protection II (double isolation)
--	--

2 Sécurité

2.1 Indications générales de sécurité pour les appareils électriques

⚠ AVERTISSEMENT Lire toutes les consignes de sécurité et instructions, illustrations et caractéristiques techniques, qui accompagnent cet outil électroportatif. Tout manquement à l'observation des instructions suivantes risque de provoquer une électrocution, un incendie et/ou de graves blessures.

Les consignes de sécurité et instructions doivent être intégralement conservées pour les utilisations futures.

La notion d'« outil électroportatif » mentionnée dans les consignes de sécurité se rapporte à des outils électriques raccordés au secteur (avec câble d'alimentation) et à des outils électriques sur accu (sans câble d'alimentation).

Sécurité sur le lieu de travail

- ▶ **Conserver la zone de travail propre et bien éclairée.** Un lieu de travail en désordre ou mal éclairé augmente le risque d'accidents.
- ▶ **Ne pas faire fonctionner les outils électriques en atmosphère explosive et où se trouvent des liquides, des gaz ou poussières inflammables.** Les outils électriques produisent des étincelles qui peuvent enflammer les poussières ou les fumées.
- ▶ **Maintenir les enfants et les personnes présentes à l'écart pendant l'utilisation de l'outil électroportatif.** En cas d'inattention il y a risque de perdre le contrôle de l'appareil.

Sécurité relative au système électrique

- ▶ **La fiche de secteur de l'outil électroportatif doit être adaptée à la prise de courant. Ne jamais modifier la fiche de quelque façon que ce soit. Ne pas utiliser d'adaptateurs avec des outils électriques à branchement de terre.** Des fiches non modifiées et des prises de courant adaptées réduiront le risque de choc électrique.
- ▶ **Éviter le contact physique avec des surfaces mises à la terre tels que tuyaux, radiateurs, cuisinières et réfrigérateurs.** Il y a un risque élevé de choc électrique au cas où votre corps serait relié à la terre.
- ▶ **Ne pas exposer les outils électroportatifs à la pluie ou à l'humidité.** La pénétration d'eau à l'intérieur d'un outil électroportatif augmentera le risque d'un choc électrique.
- ▶ **Ne jamais utiliser le câble de raccordement à d'autres fins que celles prévues, telles que pour porter, accrocher ou débrancher l'outil électroportatif de la prise de courant. Maintenir le câble de raccordement à l'écart de la chaleur, des parties grasses, des bords tranchants ou des parties en mouvement.** Des câbles de raccordement endommagés ou emmêlés augmentent le risque de choc électrique.
- ▶ **Si l'outil électroportatif est utilisé à l'extérieur, utiliser uniquement des câbles de rallonge homologués pour les applications extérieures.** L'utilisation d'un câble de rallonge homologué pour les applications extérieures réduit le risque d'un choc électrique.
- ▶ **Si l'utilisation de l'outil électrique dans un environnement humide ne peut pas être évitée, utiliser un interrupteur de protection contre les courants de court-circuit.** L'utilisation d'un tel interrupteur de protection réduit le risque d'une décharge électrique.

Sécurité des personnes

- ▶ **Rester vigilant, surveiller ce que l'on fait. Faire preuve de bon sens en utilisant l'outil électroportatif. Ne pas utiliser l'outil électroportatif en étant fatigué ou sous l'emprise de l'alcool, de drogues ou**



de médicaments. Un moment d'inattention lors de l'utilisation de l'outil électroportatif peut entraîner des blessures graves.

- ▶ **Utiliser un équipement de protection personnel et toujours porter une protection pour les yeux.** Les équipements de protection personnels tels que masque antipoussière, chaussures de sécurité antidérapantes, casque de protection ou protection acoustique suivant l'utilisation de l'outil électroportatif, réduiront le risque de blessures des personnes.
- ▶ **Éviter une mise en service par mégarde. S'assurer que l'outil électroportatif est arrêté avant de le brancher à la source de courant et/ou à l'accu, de le prendre ou de le porter.** Le fait de porter l'outil électroportatif avec le doigt sur l'interrupteur ou de brancher l'appareil sur la source de courant lorsque l'interrupteur est en position de fonctionnement peut entraîner des accidents.
- ▶ **Retirer tout outil de réglage ou toute clé avant de mettre l'outil électroportatif en fonctionnement.** Une clé ou un outil se trouvant sur une partie en rotation peut causer des blessures.
- ▶ **Adopter une bonne posture. Veiller à toujours garder une position stable et équilibrée.** Cela permet un meilleur contrôle de l'outil électroportatif dans des situations inattendues.
- ▶ **S'habiller de manière adaptée. Ne pas porter de vêtements amples ni de bijoux. Garder les cheveux, les vêtements et les gants à distance des parties en mouvement.** Des vêtements amples, des bijoux ou des cheveux longs peuvent être happés par des parties en mouvement.
- ▶ **Si des dispositifs servant à aspirer ou à recueillir les poussières doivent être utilisés, s'assurer qu'ils sont effectivement raccordés et correctement utilisés.** L'utilisation d'un dispositif d'aspiration de la poussière peut réduire les risques dus aux poussières.
- ▶ **Ne pas sous-estimer les mesures de sécurité à prendre et ne pas ignorer sciemment les règles de sécurité applicables aux outils électriques, même si l'on est utilisateur chevronné après de fréquentes utilisations de l'outil électroportatif.** Un manque d'attention peut conduire à de graves blessures en quelques fractions de seconde.

Utilisation et maniement de l'outil électroportatif

- ▶ **Ne pas forcer l'appareil. Utiliser l'outil électroportatif adapté au travail à effectuer.** Un outil électroportatif approprié réalisera mieux le travail et de manière plus sûre au régime pour lequel il a été conçu.
- ▶ **Ne pas utiliser d'outil électroportatif dont l'interrupteur est défectueux.** Tout outil électroportatif qui ne peut plus être mis en ou hors fonctionnement est dangereux et doit être réparé.
- ▶ **Débrancher la fiche de la prise de courant et/ou l'accu amovible avant d'effectuer des réglages sur l'appareil, de changer les accessoires, ou de ranger l'appareil.** Cette mesure de précaution empêche une mise en fonctionnement par mégarde de l'outil électroportatif.
- ▶ **Conserver les outils électroportatifs non utilisés hors de portée des enfants. Ne permettre l'utilisation de l'appareil à aucune personne qui ne soit pas familiarisée avec celui-ci ou qui n'a pas lu ces instructions.** Les outils électroportatifs sont dangereux lorsqu'ils sont entre les mains de personnes non initiées.
- ▶ **Prendre soin des outils électroportatifs et des accessoires. Vérifier que les parties en mouvement fonctionnent correctement et qu'elles ne sont pas coincées, et contrôler si des parties sont cassées ou endommagées de sorte que le bon fonctionnement de l'outil électroportatif s'en trouve entravé. Faire réparer les parties endommagées avant d'utiliser l'appareil.** De nombreux accidents sont dus à des outils électroportatifs mal entretenus.
- ▶ **Garder les outils de coupe affûtés et propres.** Des outils destinés à couper correctement entretenus avec des arêtes de coupe tranchantes sont moins susceptibles de bloquer et sont plus faciles à contrôler.
- ▶ **L'outil électroportatif, les accessoires, les outils amovibles, etc. doivent être utilisés conformément à ces instructions. Tenir également compte des conditions de travail et du travail à réaliser.** L'utilisation des outils électroportatifs à d'autres fins que celles prévues peut entraîner des situations dangereuses.
- ▶ **Veiller à ce que les poignées et surfaces de préhension soient toujours être sèches, propres et exemptes de traces de graisse ou d'huile.** Avec des poignées et surfaces de préhension glissantes, la sécurité et le contrôle de l'outil électroportatif ne peuvent être assurés dans des situations inopinées.

Service

- ▶ **L'outil électroportatif doit uniquement être réparé par un personnel qualifié, utilisant exclusivement des pièces de rechange d'origine.** Ceci permet d'assurer la sécurité de l'outil électroportatif.

2.2 Indications générales de sécurité applicables aux burineurs

Consignes de sécurité pour tous les travaux

- ▶ **Porter un casque antibruit.** Le bruit peut entraîner des pertes auditives.
- ▶ **Utiliser la poignée supplémentaire livrée avec l'appareil.** La perte de contrôle peut entraîner des blessures.



- ▶ **Tenir l'appareil par les surfaces isolées des poignées lors des travaux pendant lesquels l'accessoire risque de toucher des câbles électriques cachés ou son propre câble d'alimentation réseau.** Le contact avec un câble sous tension risque de mettre les parties métalliques de l'appareil sous tension et de provoquer une décharge électrique.

2.3 Consignes de sécurité supplémentaires

Sécurité des personnes

- ▶ Utiliser le produit uniquement s'il est en parfait état.
- ▶ Ne jamais entreprendre de manipulation ou de modification sur l'appareil.
- ▶ L'utilisateur et les personnes se trouvant à proximité doivent porter des lunettes de protection adaptées, un casque de protection, des gants de protection et des chaussures de sécurité pendant l'utilisation de l'appareil.
- ▶ Se munir de gants de protection pour changer d'outil, car l'appareil peut être très chaud après utilisation.
- ▶ Lors de travaux d'ajourage, protéger l'espace du côté opposé aux travaux. Des morceaux de matériaux risquent d'être éjectés et / ou de tomber, et de blesser d'autres personnes.
- ▶ S'assurer que la poignée latérale est bien montée et correctement serrée. Toujours tenir l'appareil des deux mains par les poignées prévues à cet effet. Veiller à ce que les poignées soient toujours sèches, propres et exemptes de traces de graisse et d'huile.
- ▶ Faire régulièrement des pauses et des exercices pour favoriser l'irrigation sanguine dans les doigts. En cas de travaux prolongés, les vibrations peuvent perturber la circulation dans les vaisseaux sanguins ou le système nerveux dans les doigts, les mains ou le poignet.
- ▶ L'appareil n'est pas destiné à être utilisé par des personnes affaiblies sans encadrement.
- ▶ L'appareil doit être tenu à l'écart des enfants.
- ▶ Avant le début du travail, prendre connaissance de la classe de risque de la poussière générée lors des travaux. Utiliser un aspirateur avec une classification de sécurité autorisée officiellement et conforme aux dispositions locales concernant les poussières.
- ▶ Dans la mesure du possible, utiliser un dispositif d'aspiration des poussières ainsi qu'un dépoussiéreur mobile adéquat. Les poussières de matériaux telles que des peintures contenant du plomb, certains types de bois, du béton / de la maçonnerie / des pierres naturelles qui contiennent du quartz ainsi que des minéraux et des métaux peuvent être nuisibles à la santé.
- ▶ Veiller à ce que le poste de travail soit bien ventilé et porter, le cas échéant, un masque de protection respiratoire adapté au type de poussières. Le contact ou l'aspiration de poussière peut provoquer des réactions allergiques et/ou des maladies respiratoires de l'utilisateur ou de toute personne se trouvant à proximité. Certaines poussières, telles que des poussières de chêne ou de hêtre, sont réputées être cancérogènes, en particulier lorsqu'elles sont combinées à des additifs destinés au traitement du bois (chromate, produit de protection du bois). Les matériaux contenant de l'amiante doivent seulement être manipulés par un personnel spécialisé.
- ▶ Faire confirmer les travaux par le maître d'œuvre. Les travaux dans des bâtiments et autres structures sont susceptibles de modifier la statique de la construction, en particulier lors d'interventions sur des armatures métalliques ou des éléments porteurs.

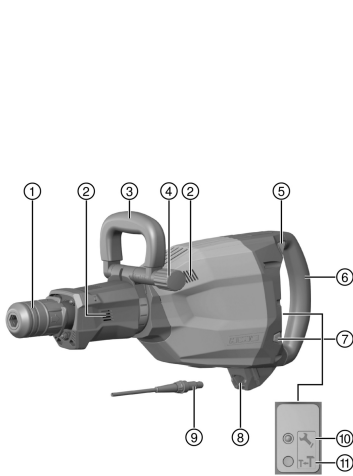
Sécurité relative au système électrique

- ▶ Avant d'entamer le travail, vérifier qu'il n'y a pas de câbles ou gaines électriques, tuyaux de gaz ou d'eau cachés dans la zone d'intervention. Toutes pièces métalliques extérieures de l'appareil sont susceptibles de provoquer une décharge électrique si un câble électrique est endommagé par inadvertance.
- ▶ Contrôler régulièrement les câbles de raccordement de l'appareil et les faire remplacer par un spécialiste s'ils sont endommagés. Si le câble de raccordement de l'appareil électrique est endommagé, il doit être remplacé par un câble de raccordement spécialement préparé et autorisé, disponible auprès du service après-vente. Contrôler régulièrement les câbles de rallonge et les remplacer s'ils sont endommagés. Si le câble d'alimentation réseau ou de rallonge est endommagé pendant le travail, ne pas le toucher. Débrancher la fiche de la prise. Les cordons d'alimentation et câbles de rallonge endommagés représentent un danger d'électrocution.
- ▶ Si le travail s'effectue souvent sur des matériaux conducteurs, faire réviser les appareils encrassés par le S.A.V. **Hilti** à intervalles réguliers. Dans de mauvaises conditions d'utilisation, la poussière collée à la surface de l'appareil, surtout la poussière de matériaux conducteurs, ou l'humidité, peut entraîner une électrocution.
- ▶ En cas de coupure de courant, arrêter l'appareil et retirer la fiche de la prise. Cette mesure de précaution empêche une mise en fonctionnement par mégarde de l'appareil lorsque le courant est rétabli.



3 Description

3.1 Vue d'ensemble du produit



- ① Mandrin
- ② Ouïes d'aération
- ③ Poignée latérale
- ④ Pommeau
- ⑤ Interrupteur Marche / Arrêt
- ⑥ Poignée
- ⑦ Commutateur de sélection de puissance
- ⑧ Branchement à l'appareil électrique
- ⑨ Câble d'alimentation avec connecteur codé débranchable
- ⑩ Indicateur de maintenance
- ⑪ Indicateur de la puissance choisie

3.2 Utilisation conforme à l'usage prévu

Le produit décrit est un burineur électrique conçu pour les gros travaux de burinage.

Il est destiné aux travaux de démontage et de démolition dans le béton, la maçonnerie, la pierre et l'asphalte.

- ▶ L'appareil ne doit fonctionner qu'avec la tension réseau et la fréquence réseau indiquées sur la plaque signalétique.

3.3 Mauvaise utilisation possible

Ce produit ne convient pas pour travailler des matériaux dangereux pour la santé.

Ce produit n'est pas conçu pour travailler dans un environnement humide.

3.4 Active Vibration Reduction (AVR)

Le burineur est équipé d'un système Active Vibration Reduction (AVR) qui réduit de manière significative les vibrations.

3.5 Indicateur de la puissance choisie

Le burineur est doté d'un indicateur de la puissance choisie avec signal lumineux.

Pour réduire la puissance de burinage à 70 % environ, appuyer sur le commutateur de sélection de puissance. À puissance réduite, l'indicateur de la puissance est allumé.

3.6 État du témoin de service

Le burineur est doté d'un indicateur de maintenance avec signal lumineux.



État	Signification
L'indicateur de maintenance s'allume en rouge.	La durée de fonctionnement pour une maintenance est atteinte. Dommages sur l'appareil.
L'indicateur de maintenance clignote en rouge.	Protection contre la surchauffe. La source d'alimentation électrique a une tension trop élevée.



Apporter le produit en temps voulu au S.A.V. **Hilti**. Il reste toujours prêt à fonctionner.

3.7 Éléments livrés

Burineur, poignée latérale, mode d'emploi.

D'autres produits système pour votre produit peuvent être trouvés dans votre **Hilti Store** ou à l'adresse : www.hilti.group

4 Caractéristiques techniques

4.1 Caractéristiques techniques



Les données de tension nominale, courant nominal, fréquence et / ou consommation nominale figurent sur la plaque signalétique spécifique au pays.

En cas d'utilisation avec un groupe électrogène ou un transformateur, leur puissance d'alimentation doit être au moins égale au double de la puissance indiquée sur la plaque signalétique de l'appareil. La tension de service du groupe électrogène ou du transformateur doit être toujours comprise entre +5 % et -15 % par rapport à la tension nominale de l'appareil.

	TE 1000-AVR
Génération de produit	02
Poids	27,6 lb (12,5 kg)
Énergie libérée par coup	26 J

4.1.1 Utilisation de câbles de rallonge



AVERTISSEMENT

Danger engendré par un câble endommagé ! Si le câble d'alimentation réseau ou de rallonge est endommagé pendant le travail, ne pas le toucher. Débrancher la prise.

- ▶ Contrôler régulièrement les câbles de raccordement de l'appareil et les faire remplacer par un spécialiste s'ils sont endommagés.
- Utiliser uniquement des câbles de rallonge homologués pour le champ d'action correspondant et de section suffisante. Sinon, il peut y avoir une perte de puissance à proximité de l'appareil et une surchauffe du câble.
- Contrôler régulièrement si le câble de rallonge n'est pas endommagé.
- Remplacer les câbles de rallonge endommagés.
- À l'extérieur, n'utiliser que des câbles de rallonge homologués avec le marquage correspondant.

Sections minimales recommandées et longueurs maximales de câbles avec une tension de secteur de 120 V

Câble	AWG 16	AWG 14	AWG 12	AWG 10
Section du conducteur	1,31 mm ²	2,08 mm ²	3,31 mm ²	5,26 mm ²
Section du conducteur	2,58 kcmil	4,11 kcmil	6,53 kcmil	10,4 kcmil
Longueur de câble	25 m	30 m	50 m	100 m
Longueur de câble	75 ft	100 ft	150 ft	250 ft



5 Utilisation

5.1 Préparatifs

ATTENTION

Risque de blessures ! Mise en marche inopinée du produit.

- ▶ Retirer la fiche de la prise avant d'effectuer des réglages sur l'appareil ou de changer les accessoires.

Bien respecter les consignes de sécurité et les avertissements de la présente documentation ainsi que celles figurant sur le produit.

5.1.1 Montage et ajustage de la poignée latérale

ATTENTION

Risque de blessures Perte de contrôle du burineur.

- ▶ S'assurer que la poignée latérale est bien montée et correctement serrée.

- ▶ Monter ou ajuster la poignée latérale.



Prendre également compte de la description jointe à la poignée latérale.

5.1.2 Câble d'alimentation réseau enfichable

ATTENTION

Risque de blessures du fait des courants de fuite si les contacts sont encrassés.

- ▶ Le connecteur électrique débranchable doit uniquement être raccordé à l'appareil électrique, s'il est propre, sec et hors tension.

- ▶ Brancher/Débrancher le câble d'alimentation réseau enfichable.

5.1.2.1 Branchement du câble d'alimentation

1. Introduire le connecteur électrique débranchable codé jusqu'en butée dans l'appareil.
2. Tourner le connecteur électrique en exerçant une légère pression dans le sens des aiguilles d'une montre jusqu'à ce que le blocage s'encliquette avec un « clic » audible.
3. Brancher la fiche dans la prise.

5.1.2.2 Débranchement du câble d'alimentation enfichable de l'appareil

1. Débrancher la fiche de la prise.
2. Tourner le connecteur électrique débranchable codé dans le sens inverse des aiguilles d'une montre jusqu'en butée.
3. Tirer le câble d'alimentation hors de l'appareil.

5.1.3 Mise en place de l'outil amovible

1. Graisser légèrement l'emmanchement de l'outil amovible.
2. Emmancher l'outil amovible à fond dans le porte-outil et le tourner en appuyant légèrement jusqu'à ce qu'il s'encliquette de manière audible.
 - ▶ Le produit est prêt à fonctionner.



Utiliser exclusivement de la graisse **Hilti** d'origine. L'utilisation d'une graisse non appropriée peut engendrer des dommages sur le produit.

5.1.4 Retrait de l'outil amovible

AVERTISSEMENT

Risque de blessures L'appareil peut être très chaud du fait de son utilisation ou présenter des arêtes vives.

- ▶ Porter des gants de protection pour changer d'outil.



⚠ DANGER

Risque d'incendie Danger en cas de contact entre l'appareil chaud et des matériaux facilement inflammables.

- ▶ Ne pas poser l'appareil chaud sur des matériaux facilement inflammables.

1. Tirer le porte-outil en arrière.
2. Retirer l'outil.

5.2 Travail

⚠ ATTENTION

Risque d'endommagement du fait d'un mauvais maniement !

- ▶ Ne pas actionner l'interrupteur de sens de rotation et/ou de sélection de fonction pendant le fonctionnement.

Bien respecter les consignes de sécurité et les avertissements de la présente documentation ainsi que celles figurant sur le produit.

5.2.1 Burinage



Le burin peut être bloqué dans 6 positions différentes (tous les 60°). Ainsi, que ce soit pour le burinage plat ou profilé, il est toujours possible de travailler dans la position optimale.

Si la pression d'appui est insuffisante, le burin risque de sortir de sa position. Si la pression d'appui est trop élevée, il y a diminution de la puissance de burinage.

1. Brancher la fiche dans la prise.
2. Poser le burin à environ 80 à 100 mm (3 1/8" - 4") du bord.
3. Débuter l'opération de burinage avec un angle de 70° à 80° par rapport à la surface du béton et orienter la pointe vers le bord. Redresser à 90° et enlever le matériau vers l'extérieur du matériau-support.
 - ▶ En cas d'armatures métalliques, toujours guider le burin vers le bord du matériel, jamais contre les armatures métalliques.
4. Tourner le burin de manière régulière car une usure uniforme favorise le processus d'auto-affûtage.

5.2.2 Réglage de la puissance de burinage

- ▶ Appuyer sur le commutateur de sélection de puissance.
 - ▶ Pour réduire la puissance de burinage à 70 % environ, appuyer sur le commutateur de sélection de puissance.



La puissance de burinage peut seulement être réglée à l'état de fonctionnement en marche. Réappuyer sur le commutateur de sélection de puissance pour disposer à nouveau de la pleine puissance de burinage. De même, si l'appareil est arrêté puis remis en marche, la pleine puissance de burinage est à nouveau disponible.

6 Nettoyage et entretien

⚠ AVERTISSEMENT

Danger d'électrocution ! Les travaux de nettoyage et d'entretien effectués avec fiche branchée à la prise peuvent entraîner de graves blessures ou brûlures.

- ▶ Toujours retirer la fiche de la prise avant tous travaux de nettoyage et d'entretien !

Nettoyage

- Éliminer prudemment les saletés récalcitrantes.
- Nettoyer les ouïes d'aération avec précaution au moyen d'une brosse sèche.
- Nettoyer le boîtier uniquement avec un chiffon légèrement humidifié. Ne pas utiliser de nettoyants à base de silicone, ceci pourrait attaquer les pièces en plastique.



Entretien**⚠ AVERTISSEMENT**

Risque d'électrocution ! Des réparations inappropriées sur des composants électriques peuvent entraîner de graves blessures corporelles et brûlures.

- ▶ Toute réparation des pièces électriques ne doit être effectuée que par un électricien qualifié.
- Vérifier régulièrement qu'aucune pièce visible n'est endommagée et que les organes de commande sont parfaitement opérationnels.
- En cas d'endommagements et/ou de dysfonctionnements, ne pas utiliser le produit. Le faire immédiatement réparer par le S.A.V. **Hilti**.
- Après des travaux de nettoyage et d'entretien, vérifier si tous les équipements de protection sont bien en place et fonctionnent parfaitement.



Pour une utilisation en toute sécurité, utiliser uniquement des pièces de rechange et consommables d'origine. Vous trouverez les pièces de rechange, consommables et accessoires autorisés convenant pour votre produit dans le centre **Hilti Store** ou sous : **www.hilti.group**.

6.1 Nettoyage de la protection anti-poussière

- ▶ Nettoyer régulièrement la protection anti-poussière au niveau du mandrin au moyen d'un chiffon propre et sec.
- ▶ Essuyer la lèvre d'étanchéité avec précaution et la graisser à nouveau légèrement avec de la graisse **Hilti**.
- ▶ Si la lèvre d'étanchéité est endommagée, remplacer impérativement la protection anti-poussière.

7 Transport et entreposage

- Ne pas transporter l'appareil électrique avec un outil monté.
- Toujours stocker l'appareil électrique avec la fiche secteur débranchée de la prise.
- Sécher l'appareil et le stocker hors de portée des enfants et des personnes non autorisées.
- Après un transport ou stockage prolongé de l'appareil électrique, toujours vérifier qu'il n'est pas endommagé avant de l'utiliser.

8 Aide au dépannage

En cas de défaillances non énumérées dans ce tableau ou auxquelles il n'est pas possible de remédier sans aide, contacter le S.A.V. **Hilti**.

8.1 Guide de dépannage

Défaillance	Causes possibles	Solution
L'appareil ne se met pas en marche.	Initialisation de l'électronique en cours (attendre jusqu'à 4 secondes environ après le branchement de la fiche dans la prise). Le dispositif de verrouillage anti-démarrage électronique après une coupure d'alimentation électrique est activé.	▶ Arrêter puis remettre en marche l'appareil.
	L'alimentation réseau est coupée.	▶ Brancher un autre appareil électrique et vérifier s'il fonctionne.
	Générateur en mode Veille.	▶ Charger le générateur avec un second consommateur (p. ex. lampe de chantier). Ensuite, arrêter puis remettre en marche l'appareil.
	Câble d'alimentation pas correctement enfiché dans l'appareil.	▶ Brancher le câble d'alimentation enfichable correctement sur l'appareil électrique.



Défaillance	Causes possibles	Solution
L'indicateur de maintenance s'allume en rouge.	Appareil endommagé ou l'échéance du prochain entretien est atteinte.	► Faire réparer le produit exclusivement par le S.A.V. Hilti .
L'indicateur de maintenance clignote en rouge.	La source d'alimentation électrique a une tension trop élevée.	► Changer de prise. Contrôler le réseau d'alimentation.
	Protection contre la surchauffe.	► Laisser refroidir l'appareil. Nettoyer les ouïes d'aération. La marche à vide est encore possible.
Absence de percussion.	L'appareil est trop froid.	► Poser le burineur sur le support et le laisser tourner à vide. Répéter si nécessaire jusqu'à ce que le mécanisme de frappe fonctionne.
L'appareil n'atteint pas la pleine puissance.	Réduction de puissance activée.	► Actionner le commutateur de sélection de puissance (surveiller l'indicateur de puissance). Débrancher et rebrancher l'appareil.
	Câble de rallonge trop long et / ou de section insuffisante.	► Utiliser des câbles de rallonge de longueur admissible et / ou de section suffisante.
	L'alimentation électrique a une tension trop faible.	► Raccorder l'appareil à une autre source d'alimentation électrique.
Impossible de sortir le burin du dispositif de verrouillage.	Le mandrin n'est pas complètement ouvert.	► Retirer le dispositif de verrouillage de l'outil jusqu'à la butée et sortir l'outil.
L'appareil s'arrête en cours de fonctionnement.	Protection contre la surchauffe.	► Laisser refroidir l'appareil. Nettoyer les ouïes d'aération. La marche à vide est encore possible.

9 Recyclage

Les appareils **Hilti** sont fabriqués pour une grande partie en matériaux recyclables. Le recyclage présuppose un tri adéquat des matériaux. **Hilti** reprend les appareils usagés dans de nombreux pays en vue de leur recyclage. Consulter le service clients **Hilti** ou un conseiller commercial.



- Ne pas jeter les appareils électriques, électroniques et accus dans les ordures ménagères !

10 Garantie constructeur

- En cas de questions sur les conditions de garantie, veuillez vous adresser à votre partenaire **Hilti** local.

Manual de instrucciones original

1 Información sobre el manual de instrucciones

1.1 Acerca de este manual de instrucciones

- **¡Atención!** Asegúrese de haber leído y entendido toda la documentación adjunta, incluidas, entre otras, las instrucciones, advertencias de seguridad, ilustraciones y especificaciones que se proporcionan con este producto. Familiarícese con todas las instrucciones, advertencias de seguridad, ilustraciones, especificaciones, componentes y funciones del producto antes de utilizarlo. De lo contrario, existe peligro



de descarga eléctrica, incendio y/o lesiones graves. Conserve todas las advertencias e instrucciones para futuras consultas.

- Los productos han sido diseñados para usuarios profesionales y solo personal autorizado y debidamente formado puede utilizarlos y llevar a cabo su mantenimiento y conservación. Este personal debe estar especialmente instruido en lo referente a los riesgos de uso. La utilización del producto y sus dispositivos auxiliares puede conllevar riesgos para el usuario en caso de manejarse de forma inadecuada por personal no cualificado o utilizarse para usos diferentes a los que están destinados.
- La documentación adjunta corresponde al estado actual de la técnica en el momento de la impresión. Compruebe siempre la última versión en la página del producto de la página web de Hilti. Para ello siga el enlace o escanee el código QR que figura en esta documentación y que se indica con el símbolo .
- No entregue nunca el producto a otras personas sin este manual de instrucciones.

1.2 Explicación de símbolos

1.2.1 Avisos

Las advertencias de seguridad advierten de peligros derivados del manejo del producto. Se utilizan las siguientes palabras de peligro:

PELIGRO

PELIGRO !

- ▶ Término utilizado para un peligro inminente que puede ocasionar lesiones graves o incluso la muerte.

ADVERTENCIA

ADVERTENCIA !

- ▶ Término utilizado para un posible peligro que puede ocasionar lesiones graves o incluso la muerte.

PRECAUCIÓN

PRECAUCIÓN !

- ▶ Término utilizado para una posible situación peligrosa que puede ocasionar lesiones o daños materiales.

1.2.2 Símbolos en el manual de instrucciones

En este manual de instrucciones se utilizan los siguientes símbolos:

	Consulte el manual de instrucciones
	Indicaciones de uso y demás información de interés
	Manejo con materiales reutilizables
	No tire las herramientas eléctricas y las baterías junto con los desperdicios domésticos

1.2.3 Símbolos en las figuras

En las figuras se utilizan los siguientes símbolos:

	Estos números hacen referencia a la figura correspondiente incluida al principio de este manual de instrucciones.
	La numeración en las figuras hace referencia a pasos de trabajo importantes o componentes importantes para los pasos de trabajo. Estos pasos de trabajo o componentes se resaltan en el texto mediante los correspondientes números, p. ej., (3) .
	En la figura Vista general se utilizan números de posición y los números de la leyenda están explicados en el apartado Vista general del producto .
	Preste especial atención a este símbolo cuando utilice el producto.



1.3 Símbolos en el producto

1.3.1 Símbolos en el producto

En el producto se utilizan los siguientes símbolos:



Clase de protección II (aislamiento doble)

2 Seguridad

2.1 Indicaciones generales de seguridad para herramientas eléctricas

⚠️ ADVERTENCIA Lea con atención todas las indicaciones de seguridad, instrucciones, ilustraciones y datos técnicos correspondientes a esta herramienta eléctrica. La negligencia en el cumplimiento de las instrucciones que se describen a continuación podría provocar descargas eléctricas, incendios o lesiones graves.

Conservar todas las instrucciones e indicaciones de seguridad para futuras consultas.

El término «herramienta eléctrica» empleado en las indicaciones de seguridad se refiere a herramientas eléctricas portátiles, ya sea con cable de red o sin cable, en caso de ser accionadas por batería.

Seguridad en el puesto de trabajo

- ▶ **Mantenga su área de trabajo limpia y bien iluminada.** El desorden o una iluminación deficiente de las zonas de trabajo pueden provocar accidentes.
- ▶ **No utilice la herramienta eléctrica en un entorno con peligro de explosión en el que se encuentren líquidos, gases o polvos inflamables.** Las herramientas eléctricas producen chispas que pueden llegar a inflamar los materiales en polvo o vapores.
- ▶ **Mantenga alejados a los niños y otras personas de su puesto de trabajo al emplear la herramienta eléctrica.** Una distracción le puede hacer perder el control sobre la herramienta.

Seguridad eléctrica

- ▶ **El enchufe de la herramienta eléctrica debe corresponder a la toma de corriente utilizada. No se deberá modificar el enchufe en forma alguna. No utilice enchufes adaptadores para las herramientas eléctricas con puesta a tierra.** Los enchufes sin modificar adecuados a las respectivas tomas de corriente reducen el riesgo de descarga eléctrica.
- ▶ **Evite el contacto corporal con superficies que tengan puesta a tierra, como pueden ser tubos, calefacciones, cocinas y frigoríficos.** El riesgo a quedar expuesto a una sacudida eléctrica es mayor si su cuerpo tiene contacto con tierra.
- ▶ **No exponga las herramientas eléctricas a la lluvia y evite que penetren líquidos en su interior.** El riesgo de recibir descargas eléctricas aumenta si penetra agua en la herramienta eléctrica.
- ▶ **No utilice el cable de conexión para transportar o colgar la herramienta eléctrica ni tire de él para extraer el enchufe de la toma de corriente. Mantenga el cable de conexión alejado de fuentes de calor, aceite, aristas afiladas o piezas móviles.** Los cables de conexión dañados o enredados pueden provocar descargas eléctricas.
- ▶ **Cuando trabaje al aire libre con una herramienta eléctrica, utilice exclusivamente un alargador adecuado para exteriores.** La utilización de un alargador adecuado para su uso en exteriores evita el riesgo de una descarga eléctrica.
- ▶ **Cuando no pueda evitarse el uso de la herramienta eléctrica en un entorno húmedo, utilice un interruptor de corriente de defecto.** La utilización de un interruptor de corriente de defecto evita el riesgo de una descarga eléctrica.

Seguridad de las personas

- ▶ **Permanezca atento, preste atención durante el trabajo y utilice la herramienta eléctrica con prudencia. No utilice una herramienta eléctrica si está cansado, ni tampoco después de haber consumido alcohol, drogas o medicamentos.** Un momento de descuido al utilizar la herramienta eléctrica podría producir graves lesiones.
- ▶ **Utilice el equipo de seguridad personal adecuado y lleve siempre gafas protectoras.** El riesgo de lesiones se reduce considerablemente si, según el tipo y la aplicación de la herramienta eléctrica empleada, se utiliza un equipo de seguridad personal adecuado como una mascarilla antipolvo, zapatos de seguridad con suela antideslizante, casco de protección o protección para los oídos.
- ▶ **Evite una puesta en servicio fortuita de la herramienta. Asegúrese de que la herramienta eléctrica está apagada antes de alzarla, transportarla, conectarla a la toma de corriente o insertar la batería.** Si transporta la herramienta eléctrica sujetándola por el interruptor de conexión/desconexión o si introduce el enchufe en la toma de corriente con la herramienta conectada, podría producirse un accidente.



- ▶ **Retire las herramientas de ajuste o llaves fijas antes de conectar la herramienta eléctrica.** Una herramienta o llave colocada en una pieza giratoria puede producir lesiones al ponerse en funcionamiento.
- ▶ **Evite adoptar posturas forzadas. Procure que la postura sea estable y manténgase siempre en equilibrio.** De esta forma podrá controlar mejor la herramienta eléctrica en caso de presentarse una situación inesperada.
- ▶ **Utilice ropa adecuada. No utilice vestimenta amplia ni joyas. Mantenga su pelo, vestimenta y guantes alejados de las piezas móviles.** La vestimenta suelta, las joyas y el pelo largo se pueden enganchar con las piezas en movimiento.
- ▶ **Siempre que sea posible montar equipos de aspiración o captación de polvo, asegúrese de que están conectados y de que se utilizan correctamente.** El uso de un sistema de aspiración de polvo reduce los riesgos derivados del polvo.
- ▶ **No se crea a salvo de cualquier riesgo ni pase por alto ninguna de las normas de seguridad relativas a las herramientas eléctricas, aun cuando esté familiarizado con la herramienta eléctrica y tenga larga experiencia en su uso.** Una actuación negligente puede provocar lesiones graves en cuestión de segundos.

Uso y manejo de la herramienta eléctrica

- ▶ **No sobrecargue la herramienta. Utilice la herramienta eléctrica adecuada para el trabajo que se dispone a realizar.** Con la herramienta eléctrica apropiada podrá trabajar mejor y de modo más seguro dentro del margen de potencia indicado.
- ▶ **No utilice herramientas eléctricas con el interruptor defectuoso.** Las herramientas eléctricas que no se puedan conectar o desconectar son peligrosas y deben repararse.
- ▶ **Extraiga el enchufe de la toma de corriente o retire la batería extraíble antes de efectuar cualquier ajuste en la herramienta, cambiar accesorios o en caso de no utilizar la herramienta durante un tiempo prolongado.** Esta medida preventiva evita el riesgo de arranque accidental de la herramienta eléctrica.
- ▶ **Guarde las herramientas eléctricas que no utilice fuera del alcance de los niños. No permita utilizar la herramienta a ninguna persona que no esté familiarizada con ella o que no haya leído este manual de instrucciones.** Las herramientas eléctricas utilizadas por personas inexpertas son peligrosas.
- ▶ **Cuide su herramienta eléctrica y los accesorios adecuadamente. Compruebe si las piezas móviles de la herramienta funcionan correctamente y sin atascarse, y si existen piezas rotas o deterioradas que pudieran afectar al funcionamiento de la herramienta eléctrica. Encargue la reparación de las piezas defectuosas antes de usar la herramienta eléctrica.** Muchos accidentes son consecuencia de un mantenimiento inadecuado de la herramienta eléctrica.
- ▶ **Mantenga los útiles limpios y afilados.** Las herramientas de corte bien cuidadas y con aristas afiladas se atascan menos y se guían con más facilidad.
- ▶ **Utilice la herramienta eléctrica, los accesorios, útiles de inserción, etc., de acuerdo con estas instrucciones. Para ello, tenga en cuenta las condiciones de trabajo y la tarea que se va a realizar.** El uso de herramientas eléctricas para trabajos diferentes de aquellos para los que han sido concebidas puede resultar peligroso.
- ▶ **Mantenga las empuñaduras y las superficies de contacto secas, limpias y sin residuos de aceite o grasa.** Las empuñaduras y superficies de contacto resbaladizas impiden manejar y controlar la herramienta eléctrica con seguridad en situaciones imprevistas.

Servicio Técnico

- ▶ **Solicite que un profesional lleve a cabo la reparación de su herramienta eléctrica y que utilice exclusivamente piezas de repuesto originales.** Solamente así se garantiza la seguridad de la herramienta eléctrica.

2.2 Indicaciones de seguridad para martillos

Indicaciones de seguridad para todos los trabajos

- ▶ **Utilice protección para los oídos.** El ruido constante puede reducir la capacidad auditiva.
- ▶ **Utilice las empuñaduras adicionales que se suministran con la herramienta.** La pérdida del control puede causar lesiones.
- ▶ **Sujete la herramienta por las empuñaduras aisladas cuando realice trabajos en los que el útil puede entrar en contacto con cables eléctricos ocultos o con el propio cable de la herramienta.** El contacto con los cables conductores puede traspasar la conductividad a las partes metálicas y producir descargas eléctricas.



2.3 Indicaciones de seguridad adicionales

Seguridad de las personas

- ▶ Utilice el producto solo si está en perfecto estado técnico.
- ▶ Nunca efectúe manipulaciones o modificaciones en la herramienta.
- ▶ El usuario y las personas que se encuentren en las inmediaciones de la zona de uso de la herramienta deberán llevar gafas protectoras adecuadas, casco de protección, guantes de protección y calzado de seguridad.
- ▶ Utilice los guantes de protección para el cambio de útil, ya que este se calienta debido al uso.
- ▶ Durante el proceso de taladrado, proteja la zona opuesta al lugar donde se realiza el trabajo, ya que pueden desprenderse cascotes y causar heridas a otras personas.
- ▶ Asegúrese de que la empuñadura lateral esté correctamente montada y fijada conforme a las prescripciones. Sujete siempre la herramienta con ambas manos por las empuñaduras previstas. Mantenga las empuñaduras secas, limpias y sin residuos de aceite o grasa.
- ▶ Efectúe pausas durante el trabajo, así como ejercicios de los dedos para mejorar la circulación. En el caso de trabajos de larga duración, las vibraciones pueden causar alteraciones en el sistema nervioso o en los vasos sanguíneos de los dedos, las manos u otras articulaciones de las manos.
- ▶ La herramienta no es adecuada para personas con poca fuerza a las que no se haya instruido.
- ▶ Mantenga la herramienta fuera del alcance de los niños.
- ▶ Antes de iniciar el trabajo, consulte la clase de peligros derivados del polvo resultante del trabajo. Utilice un aspirador de obra con una clasificación de protección homologada conforme a las normas locales sobre la protección contra el polvo.
- ▶ A ser posible, utilice un sistema de aspiración de polvo y un aspirador de polvo portátil apropiado. El polvo procedente de materiales como pinturas con plomo, determinadas maderas, hormigón/mampostería/rocas con cuarzo, así como minerales y metal puede ser nocivo para la salud.
- ▶ Procure una buena ventilación en el lugar de trabajo y utilice en caso necesario una mascarilla adecuada para cada clase de polvo. El contacto con el polvo o su inhalación puede provocar reacciones alérgicas o asfixia al usuario o a personas que se encuentren en su entorno. Existen determinados tipos de polvo, como puede ser el de roble o el de haya, catalogados como cancerígenos, especialmente si se encuentra mezclado con aditivos usados en el tratamiento de la madera (cromato, agente protector para la madera). Únicamente expertos cualificados están autorizados a manipular materiales que contengan asbesto.
- ▶ Encargue la autorización de los trabajos a la dirección de la obra. Los trabajos en edificios y otras estructuras pueden influir en la estática, especialmente al seccionar hierros de armadura o elementos portadores.

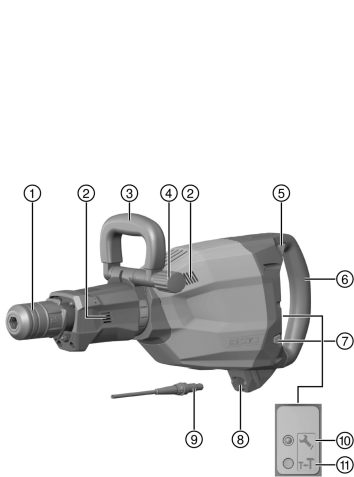
Seguridad eléctrica

- ▶ Antes de empezar a trabajar, compruebe si la zona de trabajo oculta cables eléctricos, tuberías de gas o cañerías de agua. Las partes metálicas exteriores de la herramienta pueden provocar una descarga eléctrica si se daña por error un cable eléctrico.
- ▶ Compruebe con regularidad el cable de conexión de la herramienta y, en caso de que presentara daños, encargue su sustitución a un profesional experto en la materia. Si el cable de conexión de la herramienta eléctrica está dañado, debe reemplazarse por un cable especial homologado que encontrará en nuestro Servicio Posventa. Inspeccione regularmente los alargadores y sustitúyalos en caso de que estuvieran dañados. Si se daña el cable de red o el alargador durante el trabajo, evite tocar el cable. Extraiga el enchufe de red de la toma de corriente. Los cables de conexión y los alargadores dañados suponen un peligro, pues pueden ocasionar una descarga eléctrica.
- ▶ Encargue una revisión periódica de la herramienta al Servicio Técnico **Hilti** en caso de tratar con frecuencia materiales conductores. El polvo adherido en la superficie de la herramienta, sobre todo el de los materiales conductivos, o la humedad pueden provocar descargas eléctricas en condiciones desfavorables.
- ▶ En caso de interrupción de la corriente, desconecte la herramienta y extraiga el enchufe de red. Esto evita la puesta en servicio involuntaria de la herramienta cuando vuelva la corriente.



3 Descripción

3.1 Vista general del producto



- ① Portaútiles
- ② Rejillas de ventilación
- ③ Empuñadura lateral
- ④ Mango
- ⑤ Interruptor de conexión y desconexión
- ⑥ Empuñadura
- ⑦ Interruptor selector de potencia
- ⑧ Conexión a la herramienta eléctrica
- ⑨ Cable de red con conector codificado desen-
chufable
- ⑩ Indicador de funcionamiento
- ⑪ Indicador selector de potencia

3.2 Uso conforme a las prescripciones

El producto descrito es un martillo rompedor eléctrico para trabajos complejos de cincelado. Es apropiado para trabajos de demolición y desmontaje de hormigón, mampostería, piedra y asfalto.

- ▶ Solo debe funcionar con la frecuencia y tensión de alimentación especificadas en la placa de identificación.

3.3 Posibles usos indebidos

Este producto no es apropiado para trabajar materiales perjudiciales para la salud. Este producto no es apropiado para trabajar en entornos húmedos.

3.4 Active Vibration Reduction (AVR)

El martillo rompedor está equipado con un sistema Active Vibration Reduction (AVR) que reduce considerablemente las vibraciones.

3.5 Indicador selector de potencia

El martillo rompedor incorpora un indicador selector de potencia con señal luminosa. Presionando el interruptor selector de potencia puede reducirse la potencia de cincelado a aprox. el 70 %. Con la potencia reducida, se ilumina el indicador selector de potencia.

3.6 Estado del indicador de funcionamiento

El martillo rompedor incorpora un indicador de funcionamiento con señal luminosa.



Estado	Significado
El indicador de funcionamiento se ilumina en rojo.	Se ha alcanzado el plazo de funcionamiento de la herramienta hasta la siguiente revisión por parte del Servicio Técnico. Existe un fallo en la herramienta.
El indicador de funcionamiento parpadea en rojo.	Protección contra sobrecalentamiento. La tensión de la alimentación de corriente es muy alta.



Lleve a tiempo el producto al Servicio Técnico de **Hilti**, así siempre estará a punto.

3.7 Suministro

Martillo rompedor, empuñadura lateral, manual de instrucciones.

Encontrará otros productos del sistema autorizados para su producto en su **Hilti Store** o en Internet, en: www.hilti.group

4 Datos técnicos

4.1 Datos técnicos



La tensión nominal, la intensidad nominal, la frecuencia y/o la potencia nominal figuran en la placa de identificación específica del país.

Si se utiliza con un generador o transformador, la potencia útil debe ser al menos el doble de la potencia nominal indicada en la placa de identificación de la herramienta. La tensión de servicio del transformador o del generador debe encontrarse en todo momento entre un +5 % y un -15 % de la tensión nominal de la herramienta.

	TE 1000-AVR
Generación de productos	02
Peso	27,6 lb (12,5 kg)
Energía por impacto	26 J

4.1.1 Uso de alargadores



ADVERTENCIA

Peligro por los cables dañados. Si se daña el cable de red o el alargador durante el trabajo, evitar tocar el cable. Extraer el enchufe de red de la toma de corriente.

- ▶ Compruebe con regularidad el cable de conexión de la herramienta y, en caso de que presentara daños, encargue su sustitución a un profesional experto en la materia.
- Utilice solo el alargador autorizado con sección de cable suficiente para el campo de aplicación. De lo contrario, puede generarse una pérdida de potencia de la herramienta y un sobrecalentamiento del cable.
- Compruebe regularmente que el alargador no haya sufrido daños.
- Sustituir los alargadores dañados.
- Al trabajar al aire libre, utilice únicamente alargadores autorizados que estén correspondientemente identificados.

Secciones mínimas recomendadas y longitudes máximas del cable con una tensión de alimentación de 120 V

Cable	AWG 16	AWG 14	AWG 12	AWG 10
Sección de cable	1,31 mm ²	2,08 mm ²	3,31 mm ²	5,26 mm ²
Sección de cable	2,58 kcmil	4,11 kcmil	6,53 kcmil	10,4 kcmil
Longitud del cable	25 m	30 m	50 m	100 m



Cable	AWG 16	AWG 14	AWG 12	AWG 10
Longitud del cable	75 ft	100 ft	150 ft	250 ft

5 Manejo

5.1 Preparación del trabajo

PRECAUCIÓN

Riesgo de lesiones. Arranque involuntario del producto.

- ▶ Extraiga el enchufe de red antes de realizar ajustes en la herramienta o de cambiar accesorios.

Respete las indicaciones de seguridad y las advertencias presentes en esta documentación y en el producto.

5.1.1 Montaje y ajuste de la empuñadura lateral

PRECAUCIÓN

Riesgo de lesiones Pérdida del control del martillo rompedor.

- ▶ Asegúrese de que la empuñadura lateral esté correctamente montada y fijada conforme a las prescripciones.

- ▶ Monte o ajuste la empuñadura lateral.



Tenga en cuenta también la descripción que acompaña a la empuñadura lateral.

5.1.2 Cable de red enchufable

PRECAUCIÓN

Riesgo de lesiones por corrientes de fuga en caso de contactos sucios.

- ▶ Conecte la conexión eléctrica desenchufable a la herramienta eléctrica solo en estado limpio, seco y sin tensión.
- ▶ Conexión/desconexión del cable de red enchufable.

5.1.2.1 Conexión del cable de red enchufable

1. Introduzca la conexión eléctrica desenchufable codificada en la herramienta hasta el tope.
2. Gire la conexión eléctrica hacia la derecha hasta que quede enclavada de forma audible.
3. Inserte el enchufe de la herramienta en la toma de corriente.

5.1.2.2 Extracción del cable de red enchufable de la herramienta eléctrica

1. Extraiga el enchufe de red de la toma de corriente.
2. Gire la conexión eléctrica desenchufable codificada hacia la izquierda hasta el tope.
3. Extraiga el cable de red de la herramienta.

5.1.3 Colocación del útil de inserción

1. Engrase ligeramente el extremo del útil de inserción.
2. Inserte el útil de inserción en el portaútiles y gírelo ejerciendo una leve presión hasta que encaje de forma audible.
 - ▶ El producto está listo para funcionar.



Utilice únicamente grasa original de **Hilti**. El uso de una grasa inadecuada puede provocar daños en el producto.

5.1.4 Extracción del útil de inserción

ADVERTENCIA

Riesgo de lesiones El útil se calienta debido al uso y puede presentar cantos afilados.

- ▶ Utilice guantes de protección para cambiar el útil.



⚠ PELIGRO

Riesgo de incendio Peligro por el contacto de la herramienta caliente con materiales fácilmente inflamables.

- ▶ No deje la herramienta caliente sobre un material fácilmente inflamable.

1. Tire del portaútiles hacia atrás.
2. Extraiga el útil.

5.2 Procedimiento de trabajo

⚠ PRECAUCIÓN

Riesgo de daños por manejo incorrecto.

- ▶ No accione el interruptor para la selección del sentido de giro y/o la función durante el funcionamiento.

Respete las indicaciones de seguridad y las advertencias presentes en esta documentación y en el producto.

5.2.1 Cincelado



El cincel cuenta con 6 posiciones de ajuste diferentes (en intervalos de 60°). De ese modo, siempre se adopta la mejor posición en los trabajos con cincel plano y cincel de perfilar.

Una presión de apriete demasiado reducida puede provocar que el cincel salte. Una presión de apriete demasiado elevada provoca una disminución de la potencia de cincelado.

1. Inserte el enchufe de la herramienta en la toma de corriente.
2. Coloque el cincel aproximadamente a 80-100 mm (3 1/8"-4") del borde.
3. Inicie el proceso de cincelado en un ángulo de entre 70° y 80° respecto a la superficie del hormigón y oriente la punta hacia el borde. A continuación, mueva el ángulo en dirección a los 90° y fragmente el material.
 - ▶ Si hay hierros de armadura, guíe el cincel siempre en dirección al borde del material, no en dirección a los hierros de armadura.
4. Gire el cincel regularmente, ya que el desgaste uniforme favorece el proceso de autoafilado.

5.2.2 Ajuste de la potencia de cincelado

- ▶ Pulse el interruptor selector de potencia.
 - ▶ Presionando el interruptor selector de potencia puede reducirse la potencia de cincelado a aprox. el 70 %.



La potencia de cincelado solo puede ajustarse estando activado el estado de funcionamiento. Si se vuelve a presionar el interruptor selector de potencia, se dispone nuevamente del 100 % de la potencia de cincelado. Si se desconecta la herramienta y vuelve a conectarse, también vuelve a disponerse nuevamente del 100 % de la potencia de cincelado.

6 Cuidado y mantenimiento

⚠ ADVERTENCIA

Peligro de descarga eléctrica. La realización de tareas de cuidado y mantenimiento con el enchufe conectado a la toma de corriente de puede provocar lesiones y quemaduras graves.

- ▶ Extraiga siempre el enchufe de la toma de corriente antes de realizar cualquier tarea de cuidado y mantenimiento.

Cuidado

- Retire con cuidado la suciedad fuertemente adherida.
- Limpie cuidadosamente las rejillas de ventilación con un cepillo seco.
- Limpie la carcasa utilizando únicamente un paño ligeramente humedecido. No utilice limpiadores que contengan silicona, ya que podría afectar a las piezas de plástico.



Mantenimiento



ADVERTENCIA

Riesgo de descarga eléctrica. Las reparaciones indebidas en componentes eléctricos pueden producir lesiones graves y quemaduras.

- ▶ Las reparaciones de la parte eléctrica sólo puede llevarlas a cabo un técnico electricista cualificado.
- Compruebe con regularidad si las piezas visibles están dañadas o si los elementos de manejo funcionan correctamente.
- No utilice el producto si presenta daños o fallos que afecten al funcionamiento. Llévela de inmediato al Servicio Técnico de **Hilti** para que la reparen.
- Coloque todos los dispositivos de protección después de las tareas de cuidado y mantenimiento y compruebe su correcto funcionamiento.



Para garantizar un correcto funcionamiento, utilice exclusivamente piezas de repuesto y material de consumo originales. Puede encontrar piezas de repuesto, consumibles y accesorios para su producto que nosotros mismos comercializamos en **Hilti Store** o en: www.hilti.group.

6.1 Limpieza de la tapa de protección contra el polvo

- ▶ Limpie regularmente la tapa de protección contra el polvo del portaútiles con un paño limpio y seco.
- ▶ Limpie con cuidado la falda de obturación y vuelva a lubricarla ligeramente con grasa **Hilti**.
- ▶ Sustituya la tapa de protección contra el polvo de inmediato si la falda de obturación está dañada.

7 Transporte y almacenamiento

- No transporte la herramienta eléctrica con el útil insertado.
- Almacene la herramienta eléctrica siempre con el enchufe desconectado.
- Seque la herramienta y guárdela fuera del alcance de niños y personas no autorizadas.
- Compruebe si la herramienta eléctrica presenta daños tras haber estado almacenada durante mucho tiempo o haber sido transportada.

8 Ayuda en caso de averías

Si se producen averías que no estén incluidas en esta tabla o que no pueda solucionar usted, diríjase al Servicio Técnico de **Hilti**.

8.1 Localización de averías

Anomalía	Posible causa	Solución
La herramienta no se pone en marcha.	Inicialización de la electrónica en curso (aprox. 4 segundos a partir de la conexión del enchufe). El bloqueo de arranque electrónico permanece activo después de una interrupción de la alimentación de corriente.	▶ Desconecte la herramienta y vuélvala a conectar.
	Interrumpido el suministro de corriente.	▶ Conecte otra herramienta eléctrica y compruebe si funciona.
	Generador en modo de reposo.	▶ Aplique una carga al generador utilizando un segundo consumidor (p. ej., una lámpara de obras). Desconecte a continuación la herramienta y vuélvala a conectar.
	El cable de red enchufable no está insertado correctamente.	▶ Conecte el cable de red enchufable correctamente en la herramienta eléctrica.



Anomalia	Posible causa	Solución
El indicador de funcionamiento se ilumina en rojo.	Daños en la herramienta o se ha alcanzado el plazo de funcionamiento de la herramienta hasta la siguiente revisión por parte del Servicio Técnico.	► Encargue la reparación del producto sólo al Servicio Técnico de Hilti .
El indicador de funcionamiento parpadea en rojo.	La tensión de la alimentación de corriente es muy alta.	► Cambie la toma de corriente. Compruebe la red.
	La protección de sobrecalentamiento está activada.	► Deje que la herramienta se enfríe. Limpie las rejillas de ventilación. Todavía es posible el funcionamiento con marcha en vacío.
Sin percusión.	Herramienta demasiado fría.	► Apoye el martillo rompedor en la superficie de trabajo y déjelo funcionando con la marcha en vacío. Repita esta acción si es necesario hasta que funcione el mecanismo de percusión.
La herramienta no desarrolla toda la potencia.	La reducción de potencia está activada.	► Accione el interruptor selector de potencia (observe el indicador selector de potencia). Desconecte la herramienta y vuelva a conectarla.
	El alargador es demasiado largo y/o no tiene la sección transversal suficiente.	► Utilice un alargador con una longitud permitida y/o con una sección transversal suficiente.
	La tensión de la alimentación de corriente es muy baja.	► Conecte la herramienta a otra alimentación de tensión.
El cincel no se puede desbloquear.	El portaútiles no está retirado por completo.	► Retire el bloqueo del útil hasta el tope y extraiga el útil.
La herramienta se apaga durante el funcionamiento.	La protección de sobrecalentamiento está activada.	► Deje que la herramienta se enfríe. Limpie las rejillas de ventilación. Todavía es posible el funcionamiento con marcha en vacío.

9 Reciclaje

Las herramientas **Hilti** están fabricadas en su mayor parte con materiales reutilizables. La condición para dicha reutilización es una separación adecuada de los materiales. En muchos países, **Hilti** recoge las herramientas usadas para su recuperación. Pregunte en el Servicio de Atención al Cliente de **Hilti** o a su asesor de ventas.



- No deseche las herramientas eléctricas, los aparatos eléctricos ni las baterías junto con los residuos domésticos.

10 Garantía del fabricante

- Si tiene alguna consulta acerca de las condiciones de la garantía, póngase en contacto con su sucursal local de **Hilti**.



Manual de instruções original

1 Indicações sobre o Manual de instruções

1.1 Relativamente a este Manual de instruções

- **Aviso!** Antes de utilizar o produto, certifique-se de que leu e compreendeu o Manual de instruções fornecido com o produto incluindo as instruções, instruções de segurança e advertências, figuras e especificações. Familiarize-se sobretudo com todas as instruções, instruções de segurança e advertências, figuras, especificações, bem como com componentes e funções. Em caso de incumprimento existe perigo de choque eléctrico, incêndio e/ou ferimentos graves. Guarde o Manual de instruções incluindo todas as instruções, instruções de segurança e advertências para utilização posterior.
- Os produtos destinam-se ao utilizador profissional e só podem ser operados, mantidos e reparados por pessoal autorizado, devidamente qualificado. Estas pessoas deverão estar informadas em particular sobre os potenciais perigos. O produto e seu equipamento auxiliar podem representar perigo se usados incorrectamente por pessoas não qualificadas ou se usados para fins diferentes daqueles para os quais foram concebidos.
- O Manual de instruções fornecido corresponde ao actual avanço tecnológico no momento da impressão. Encontra a versão actual sempre online, na página de produtos Hilti. Para o efeito, siga a hiperligação ou o código QR neste Manual de instruções, identificado com o símbolo .
- Entregue o produto a outras pessoas apenas juntamente com o Manual de instruções.

1.2 Explicação dos símbolos

1.2.1 Advertências

As advertências alertam para perigos durante a utilização do produto. São utilizadas as seguintes palavras de aviso:



PERIGO

PERIGO !

- ▶ Indica perigo iminente que pode originar acidentes pessoais graves ou até mesmo fatais.



AVISO

AVISO !

- ▶ Indica um possível perigo que pode causar graves ferimentos pessoais, até mesmo fatais.



CUIDADO

CUIDADO !

- ▶ Indica uma situação potencialmente perigosa que pode originar ferimentos corporais ou danos materiais.

1.2.2 Símbolos no manual de instruções

Neste manual de instruções são utilizados os seguintes símbolos:

	Consultar o manual de instruções
	Instruções de utilização e outras informações úteis
	Manuseamento com materiais recicláveis
	Não deitar as ferramentas eléctricas e baterias no lixo doméstico

1.2.3 Símbolos nas figuras

Em figuras são utilizados os seguintes símbolos:

	Estes números remetem para a figura respectiva no início do presente manual de instruções.
--	--



3	A numeração nas imagens indica passos de trabalho importantes ou componentes importantes para os passos de trabalho. No texto, estes passos de trabalho ou componentes são realçados com os respectivos números, p. ex. (3).
	Na figura Vista geral são utilizados números de posição que fazem referência aos números da legenda na secção Vista geral do produto .
	Este símbolo pretende despertar a sua atenção durante o manuseamento do produto.

1.3 Símbolos no produto

1.3.1 Símbolos no produto

No produto são utilizados os seguintes símbolos:

	Classe II de protecção (com duplo isolamento)
--	---

2 Segurança

2.1 Normas de segurança gerais para ferramentas eléctricas

⚠ AVISO Leia todas as normas de segurança, instruções, imagens e dados técnicos, com os quais esta ferramenta eléctrica está equipada. O não cumprimento das instruções a seguir pode resultar em choque eléctrico, incêndio e/ou ferimentos graves.

Guarde bem todas as normas de segurança e instruções para futura referência.

O termo “ferramenta eléctrica” utilizado nas normas de segurança refere-se a ferramentas com ligação à corrente eléctrica (com cabo de alimentação) ou a ferramentas a bateria (sem cabo).

Segurança no posto de trabalho

- ▶ **Mantenha a sua área de trabalho limpa e bem iluminada.** Locais desarrumados ou mal iluminados podem ocasionar acidentes.
- ▶ **Não utilize a ferramenta eléctrica em ambientes explosivos ou na proximidade de líquidos ou gases inflamáveis.** Ferramentas eléctricas produzem faíscas que podem provocar a ignição de pó e vapores.
- ▶ **Mantenha crianças e terceiros afastados durante os trabalhos.** Distrações podem conduzir à perda de controlo sobre a ferramenta.

Segurança eléctrica

- ▶ **A ficha da ferramenta eléctrica deve servir na tomada. A ficha não deve ser modificada de modo algum. Não utilize quaisquer adaptadores com ferramentas eléctricas com ligação terra.** Fichas originais (não modificadas) e tomadas adequadas reduzem o risco de choque eléctrico.
- ▶ **Evite o contacto do corpo com superfícies ligadas à terra, como, por exemplo, canos, radiadores, fogões e frigoríficos.** Existe um risco elevado de choque eléctrico se o corpo estiver com ligação à terra.
- ▶ **As ferramentas eléctricas não devem ser expostas à chuva nem à humidade.** A infiltração de água numa ferramenta eléctrica aumenta o risco de choque eléctrico.
- ▶ **Não use o cabo de ligação para transportar, pendurar ou desligar a ferramenta eléctrica da tomada. Mantenha o cabo de ligação afastado de calor, óleo, arestas vivas ou partes em movimento.** Cabos de ligação danificados ou emaranhados aumentam o risco de choque eléctrico.
- ▶ **Quando operar uma ferramenta eléctrica ao ar livre, utilize apenas cabos de extensão próprios para utilização no exterior.** A utilização de um cabo de extensão próprio para utilização no exterior reduz o risco de choques eléctricos.
- ▶ **Utilize um disjuntor diferencial se não puder ser evitada a utilização da ferramenta eléctrica em ambiente húmido.** A utilização de um disjuntor diferencial reduz o risco de choque eléctrico.

Segurança física

- ▶ **Esteja alerta, observe o que está a fazer, e tenha prudência ao trabalhar com uma ferramenta eléctrica. Se estiver cansado ou sob influência de drogas, álcool ou medicamentos não efectue nenhum trabalho com ferramentas eléctricas.** Um momento de distração ao operar a ferramenta eléctrica pode causar ferimentos graves.
- ▶ **Use equipamento de segurança. Use sempre óculos de protecção.** Equipamento de segurança, como, por exemplo, máscara antipoeiras, sapatos de segurança antiderrapantes, capacete de segurança ou protecção auricular, de acordo com o tipo e aplicação da ferramenta eléctrica, reduzem o risco de lesões.



- ▶ **Evite um arranque involuntário. Assegure-se de que a ferramenta eléctrica está desligada antes de a ligar à fonte de alimentação e/ou à bateria, pegar nela ou a transportar.** Transportar a ferramenta eléctrica com o dedo no interruptor ou ligar uma ferramenta à tomada com o interruptor ligado (ON) pode resultar em acidentes.
- ▶ **Remova quaisquer chaves de ajuste (chaves de fenda), antes de ligar a ferramenta eléctrica.** Um acessório ou chave deixado preso numa parte rotativa da ferramenta pode causar ferimentos.
- ▶ **Evite posturas corporais desfavoráveis. Mantenha sempre uma posição correcta, em perfeito equilíbrio.** Desta forma será mais fácil manter o controlo sobre a ferramenta eléctrica em situações inesperadas.
- ▶ **Use roupa apropriada. Não use roupa larga ou jóias. Mantenha o cabelo, vestuário e luvas afastados das peças móveis.** Roupas largas, jóias ou cabelos compridos podem ficar presos nas peças móveis.
- ▶ **Se poderem ser montados sistemas de remoção e de recolha de pó, assegure-se de que estes estão ligados e são utilizados correctamente.** A utilização de um sistema de remoção de pó pode reduzir os perigos relacionados com a exposição ao mesmo.
- ▶ **Não se acomode numa falsa sensação de segurança e não ignore os regulamentos de segurança para ferramentas eléctricas, mesmo se estiver familiarizado com a ferramenta eléctrica após numerosas utilizações.** Agir de forma descuidada pode causar ferimentos graves dentro duma fracção de segundo.

Utilização e manuseamento da ferramenta eléctrica

- ▶ **Não sobrecarregue a ferramenta. Use para o seu trabalho a ferramenta eléctrica correcta.** Com a ferramenta eléctrica adequada obterá maior eficiência e segurança se respeitar os seus limites.
- ▶ **Não utilize a ferramenta eléctrica se o interruptor estiver defeituoso.** Uma ferramenta eléctrica que já não possa ser accionada pelo interruptor é perigosa e deve ser reparada.
- ▶ **Retire a ficha da tomada e/ou remova uma bateria amovível antes de efectuar ajustes na ferramenta, substituir acessórios ou guardar a ferramenta.** Esta medida preventiva evita o accionamento accidental da ferramenta eléctrica.
- ▶ **Guarde ferramentas eléctricas não utilizadas fora do alcance das crianças. Não permita que a ferramenta seja utilizada por pessoas não familiarizadas com a mesma ou que não tenham lido estas instruções.** Ferramentas eléctricas operadas por pessoas não treinadas são perigosas.
- ▶ **Faça uma manutenção regular de ferramentas eléctricas e acessórios. Verifique se as partes móveis funcionam perfeitamente e não emperram ou se há peças quebradas ou danificadas que possam influenciar o funcionamento da ferramenta eléctrica. Peças danificadas devem ser reparadas antes da utilização da ferramenta.** Muitos acidentes são causados por ferramentas eléctricas com manutenção deficiente.
- ▶ **Mantenha as ferramentas de corte sempre afiadas e limpas.** Acessórios com gumes afiados tratados correctamente emperram menos e são mais fáceis de controlar.
- ▶ **Utilize a ferramenta eléctrica, acessórios, bits, etc., de acordo com estas instruções. Tome também em consideração as condições de trabalho e o trabalho a ser efectuado.** A utilização da ferramenta eléctrica para outros fins além dos previstos, pode ocasionar situações de perigo.
- ▶ **Mantenha punhos e respectivas superfícies secos, limpos e isentos de óleo e gordura.** Punhos e superfícies afins escorregadios não permitem um manuseamento e controlo seguro da ferramenta eléctrica em situações imprevistas.

Manutenção

- ▶ **A sua ferramenta eléctrica só deve ser reparada por pessoal qualificado e só devem ser utilizadas peças sobressalentes originais.** Isto assegurará que a segurança da ferramenta eléctrica se mantenha.

2.2 Normas de segurança para martelos

Indicações de segurança para todos os trabalhos

- ▶ **Use protecção auricular.** Ruído em excesso pode levar à perda de audição.
- ▶ **Utilize os punhos auxiliares fornecidos com a ferramenta.** A perda de controlo da ferramenta pode causar ferimentos.
- ▶ **Segure a ferramenta pelas áreas isoladas dos punhos, quando executar trabalhos onde o acessório pode encontrar cabos eléctricos encobertos ou o próprio cabo de rede.** O contacto com um cabo sob tensão também pode colocar partes metálicas da ferramenta sob tensão e causar um choque eléctrico.



2.3 Normas de segurança adicionais

Segurança física

- ▶ Utilize o produto somente se estiver em perfeitas condições técnicas.
- ▶ Nunca manipule ou altere a ferramenta.
- ▶ O utilizador e restantes pessoas que se encontrem na proximidade da ferramenta devem usar óculos de protecção, capacete de segurança, luvas de protecção e botas de protecção.
- ▶ Para a substituição de acessórios, use luvas de protecção, pois estes aquecem durante a utilização.
- ▶ Ao realizar trabalhos de perfuração, vede a área que se encontra do lado oposto dos trabalhos. Restos de demolição podem desprender-se e/ou cair e ferir outras pessoas.
- ▶ Certifique-se de que o punho auxiliar está correctamente montado e devidamente apertado. Segure a ferramenta sempre com as duas mãos nos punhos previstos para o efeito. Mantenha os punhos secos, limpos e isentos de óleo e gordura.
- ▶ Faça pausas durante o trabalho e exercícios para melhorar a circulação sanguínea nos dedos. Ao trabalhar durante períodos mais prolongados, as vibrações podem causar perturbações nos vasos sanguíneos ou no sistema nervoso nos dedos, mãos ou pulsos.
- ▶ A ferramenta não está concebida para pessoas debilitadas sem formação.
- ▶ Mantenha a ferramenta afastada das crianças.
- ▶ Antes de iniciar os trabalhos, apure a classe de perigo do pó gerado. Utilize um aspirador industrial com protecção aprovada e que esteja de acordo com as regulamentações locais sobre emissão de poeiras nocivas para o ambiente.
- ▶ Se possível, utilize uma aspiração de pó e um removedor de pó móvel adequado. Pós de materiais, como tinta com chumbo, algumas madeiras, betão/alvenaria/rochas quartzíferas, minerais e metal podem ser nocivos.
- ▶ Garanta uma boa ventilação do local de trabalho e, se necessário, use uma máscara de protecção respiratória, adequada para o respectivo pó. O contacto ou inalação do pó podem provocar reacções alérgicas e/ou doenças das vias respiratórias no utilizador ou em pessoas que se encontrem nas proximidades. Determinados pós, como os de carvalho ou de faia, são considerados cancerígenos, especialmente em combinação com aditivos para o tratamento de madeiras (cromato, produtos para a preservação de madeiras). Material que contenha amianto só pode ser manuseado por pessoal especializado.
- ▶ Deverá obter-se previamente junto do engenheiro ou arquitecto da obra uma autorização para iniciar os trabalhos. Os trabalhos em edifícios podem influenciar a estática da estrutura, especialmente quando se cortam vigas de reforço ou outros componentes de suporte.

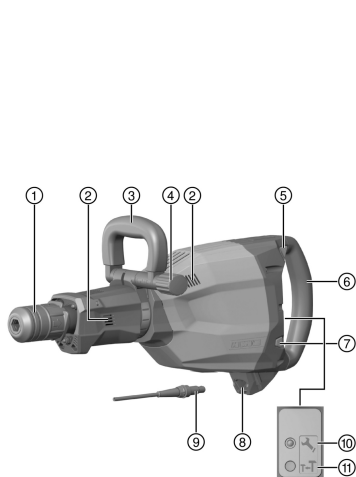
Segurança eléctrica

- ▶ Antes de iniciar os trabalhos, verifique o local de trabalho relativamente a cabos eléctricos encobertos, bem como tubos de gás e água. Partes metálicas externas da ferramenta podem causar um choque eléctrico se, inadvertidamente, danificarem uma linha eléctrica.
- ▶ Verifique o cabo de conexão regularmente. Se danificado, deve ser imediatamente substituído por um especialista reconhecido. Quando o cabo de conexão da ferramenta eléctrica está danificado, deve ser substituído por um cabo de conexão específico e aprovado, que se encontra disponível através do Serviço de Clientes Hilti. Verifique as extensões de cabo regularmente. Se estiverem danificadas, deverão ser substituídas. Se danificar o cabo ou a extensão enquanto trabalha, não lhe toque. Retire a ficha de rede da tomada. Cabos de conexão e extensões danificados representam um risco de choque eléctrico.
- ▶ As ferramentas utilizadas frequentemente para trabalhar materiais condutores e, consequentemente, muito sujas, devem ser verificadas regularmente num Centro de Assistência Técnica **Hilti**. O pó (nomeadamente o pó resultante de materiais condutores) ou a humidade aderente à superfície da ferramenta podem, sob condições desfavoráveis, causar choques eléctricos.
- ▶ Em caso de corte de energia, desligue a ferramenta e retire a ficha da tomada. Isto impede que a ferramenta seja colocada involuntariamente em funcionamento quando a energia for restabelecida.



3 Descrição

3.1 Vista geral do produto 1



- ① Porta-ferramentas
- ② Saídas de ar
- ③ Punho auxiliar
- ④ Maçaneta
- ⑤ Interruptor on/off
- ⑥ Punho
- ⑦ Selector do nível de potência
- ⑧ Ligaçãõ à ferramenta eléctrica
- ⑨ Cabo com conector de ficha codificado e separável
- ⑩ Indicador de manutenção
- ⑪ Indicador do nível de potência

3.2 Utilização conforme a finalidade projectada

O produto descrito é um martelo demolidor eléctrico para trabalhos de cinzelamento pesados. Destina-se a trabalhos de desmantelamento e demolição em betão, alvenaria, pedra ou asfalto.

- ▶ Certifique-se de que a corrente eléctrica à qual a ferramenta é ligada está de acordo com a mencionada na placa de características.

3.3 Possível uso incorrecto

Este produto não é adequado para trabalhar materiais nocivos para a saúde.

Este produto não é adequado para a realização de trabalhos num ambiente húmido.

3.4 Active Vibration Reduction (AVR)

O martelo combinado está equipado com um sistema Active Vibration Reduction (AVR) que reduz significativamente a vibração.

3.5 Indicador do nível de potência

O martelo demolidor está equipado com um indicador do nível de potência com sinal luminoso.

Pressionando o selector do nível de potência, pode reduzir a capacidade de cinzelamento para aprox. 70%. Neste caso, o indicador do nível de potência acende-se.

3.6 Estado do indicador de manutenção

O martelo demolidor está equipado com um indicador de manutenção com sinal luminoso.



Estado	Significado
Indicador de manutenção está aceso a vermelho.	Foi atingido o tempo de trabalho predeterminado e requer-se agora uma manutenção. Avaria na ferramenta.
Indicador de manutenção está a piscar a vermelho.	Disjuntor térmico. A tensão fornecida pela rede de alimentação é demasiado alta.

Leve o produto atempadamente ao Centro de Assistência Técnica **Hilti**. Deste modo permanece sempre pronto para funcionar.

3.7 Incluído no fornecimento

Martelo demolidor, punho auxiliar, manual de instruções.

Poderá encontrar outros produtos de sistema aprovados para o seu produto na sua **Hilti Store** ou em: www.hilti.group

4 Características técnicas

4.1 Características técnicas

Consulte a tensão nominal, corrente nominal, frequência e/ou potência nominal na sua placa de características específica do país.

Em caso de alimentação por um gerador ou transformador, a respectiva potência de saída deverá ter, no mínimo, o dobro da potência nominal indicada na placa de características da ferramenta. A tensão de serviço do transformador ou gerador deverá encontrar-se sempre entre +5% e -15% da tensão nominal da ferramenta.

	TE 1000-AVR
Geração de produtos	02
Peso	27,6 lb (12,5 kg)
Energia de impacto	26 J

4.1.1 Utilização de extensões de cabo

AVISO

Perigo devido a cabo danificado! Se danificar o cabo enquanto trabalha, não lhe toque e desligue o aparelho imediatamente. Retire a ficha de rede da tomada.

► Verifique o cabo eléctrico regularmente. Se danificado, deve ser imediatamente substituído por um especialista.

- Utilize apenas cabos de extensão aprovados para o tipo de aplicação em causa e com a secção transversal adequada. A inobservância desta recomendação pode resultar numa perda de potência da ferramenta e no sobreaquecimento do cabo.
- Examine o cabo periodicamente em relação a eventuais danos.
- Substitua os cabos de extensão danificados.
- Em trabalhos de exterior, utilize apenas extensões com secção apropriada e correspondentemente indicadas.

Secções de cabo mínimas recomendadas e comprimentos máximos para uma tensão de rede de 120V

Cabo	AWG 16	AWG 14	AWG 12	AWG 10
Secção do cabo	1,31 mm ²	2,08 mm ²	3,31 mm ²	5,26 mm ²
Secção do cabo	2,58 kcmil	4,11 kcmil	6,53 kcmil	10,4 kcmil
Comprimento do cabo	25 m	30 m	50 m	100 m
Comprimento do cabo	75 ft	100 ft	150 ft	250 ft



5 Utilização

5.1 Preparação do local de trabalho

CUIDADO

Risco de ferimentos! Arranque inadvertido do produto.

- ▶ Retire a ficha antes de efectuar ajustes na ferramenta ou substituir acessórios.

Tenha em atenção as instruções de segurança e as advertências nesta documentação e no produto.

5.1.1 Montar e ajustar o punho auxiliar 2

CUIDADO

Risco de ferimentos Perda do controlo sobre o martelo demolidor.

- ▶ Certifique-se de que o punho auxiliar está correctamente montado e devidamente apertado.

- ▶ Monte ou ajuste o punho auxiliar.



Observe também a descrição que vem junta com o punho auxiliar.

5.1.2 Cabo de alimentação encaixável

CUIDADO

Risco de ferimentos devido a correntes de fuga no caso de contactos sujos.

- ▶ Ligue o conector eléctrico separável à ferramenta eléctrica só desligado da corrente e em estado limpo e seco.

- ▶ Ligar/desligar o cabo de alimentação encaixável.

5.1.2.1 Ligar o cabo de alimentação encaixável

1. Introduza, até encostar, o conector eléctrico separável codificado na ferramenta.
2. Rode o conector no sentido dos ponteiros do relógio até engatar de forma audível.
3. Ligue a ficha de rede à tomada.

5.1.2.2 Desligar o cabo de alimentação encaixável da ferramenta

1. Retire a ficha de rede da tomada.
2. Rode o conector eléctrico separável codificado até ao encosto, no sentido contrário ao dos ponteiros do relógio.
3. Puxe o cabo de alimentação para fora da ferramenta.

5.1.3 Colocar o acessório 3

1. Lubrifique ligeiramente o encabadouro do acessório.
2. Encaixe o acessório no mandril e rode-o aplicando ligeira pressão até que este encaixe de forma audível.
 - ▶ O produto está operacional.



Utilize apenas massa lubrificante original da **Hilti**. A utilização de uma massa lubrificante não adequada pode provocar danos no produto.

5.1.4 Retirar o acessório 3

AVISO

Risco de ferimentos O acessório fica quente após utilização prolongada e pode apresentar arestas vivas.

- ▶ Use luvas de protecção quando substituir os acessórios.

PERIGO

Perigo de incêndio Perigo em caso de contacto entre o acessório quente e materiais facilmente inflamáveis.

- ▶ Não pouse o acessório ainda quente sobre materiais facilmente inflamáveis.

1. Puxe o mandril para trás.



2. Retire o acessório.

5.2 Trabalhar

CUIDADO

Perigo de danos devido a manuseamento errado!

- ▶ Não accione os interruptores para o sentido de rotação e/ou selecção de função durante o funcionamento.

Tenha em atenção as instruções de segurança e as advertências nesta documentação e no produto.

5.2.1 Cinzelar



O cinzel pode ser fixo em 6 posições diferentes (em incrementos de 60°). Assim, tanto os cinzéis planos como os cinzéis côncavos podem ser ajustados na posição ideal para o trabalho em causa.

Uma pressão de encosto insuficiente faz com que o cinzel salte. Uma pressão de encosto excessiva reduz a capacidade de cinzelamento.

1. Ligue a ficha de rede à tomada.
2. Coloque o cinzel aprox. 80 mm a 100 mm (3 1/8" a 4") do rebordo.
3. Inicie o processo de cinzelamento num ângulo de 70° a 80° em relação à superfície do betão e oriente a ponta ao rebordo. Desloque em seguida o ângulo na direcção da perpendicular (90°) e solte o material.
 - ▶ No caso de ferros da armadura, conduza o cinzel sempre contra o rebordo do material, não contra o ferro da armadura.
4. Rode regularmente o cinzel, já que o desgaste uniforme favorece o processo de autoafiamento.

5.2.2 Ajustar a capacidade de cinzelamento

- ▶ Pressione o selector do nível de potência.
 - ▶ Pressionando o selector do nível de potência, pode reduzir a capacidade de cinzelamento para aprox. 70%.



O ajuste da capacidade de cinzelamento só é possível com a ferramenta ligada. Pressionando novamente o selector do nível de potência, volta a estar disponível a capacidade de cinzelamento máxima. Se se desligar e voltar a ligar a ferramenta, também volta a estar disponível a capacidade de cinzelamento máxima.

6 Conservação e manutenção

AVISO

Perigo devido a choque eléctrico! A conservação e manutenção com a ficha de ligação inserida pode originar ferimentos graves e queimaduras.

- ▶ Retirar sempre a ficha de ligação antes de todos os trabalhos de conservação e manutenção!

Conservação

- Remover a sujidade persistente com cuidado.
- Limpe as saídas de ar cuidadosamente com uma escova seca.
- Limpar a carcaça apenas com um pano ligeiramente humedecido. Não utilizar produtos de conservação que contenham silicone, uma vez que estes poderiam danificar os componentes de plástico.

Manutenção

AVISO

Perigo devido a choque eléctrico! Reparações incorrectas em peças eléctricas podem causar ferimentos e queimaduras graves.

- ▶ As reparações na parte eléctrica apenas podem ser executadas por um electricista especializado.
- Verificar, regularmente, todos os componentes visíveis quanto a danos e os comandos operativos quanto a funcionamento perfeito.
- Em caso de danos e/ou perturbações de funcionamento, não operar o produto. Mandar reparar de imediato pelo Centro de Assistência Técnica **Hilti**.



- Após os trabalhos de conservação e manutenção, aplicar todos os dispositivos de protecção e verificar o respectivo funcionamento.



Para um funcionamento seguro, utilize apenas peças sobresselentes e consumíveis originais. Poderá encontrar peças sobresselentes, consumíveis e acessórios aprovados por nós para o seu produto no seu **Hilti Store** ou em: **www.hilti.group**.

6.1 Limpeza da capa protectora contra pó

- ▶ Limpe periodicamente a capa protectora contra pó no porta-ferramentas com um pano limpo e seco.
- ▶ Limpe o vedante e unte-o com uma leve camada de massa **Hilti**.
- ▶ Substitua impreterivelmente a capa protectora contra pó se o vedante estiver danificado.

7 Transporte e armazenamento

- Não transportar a ferramenta eléctrica com o instrumento inserido.
- Armazenar a ferramenta eléctrica sempre com a ficha de rede retirada.
- Armazenar a ferramenta seca e fora do alcance de crianças e pessoas não autorizadas.
- Após transporte ou armazenamento prolongado, antes da utilização, verificar a ferramenta eléctrica quanto a danos.

8 Ajuda em caso de avarias

No caso de avarias que não sejam mencionadas nesta tabela ou se não conseguir resolvê-las por si mesmo, contacte o nosso Centro de Assistência Técnica **Hilti**.


8.1 Localização de avarias

Avaria	Causa possível	Solução
A ferramenta não arranca.	A electrónica está a ser inicializada (isto leva até cerca de 4 segundos após a introdução da ficha na tomada). O bloqueio electrónico está activado após uma interrupção de corrente.	▶ Desligue e volte a ligar o dispositivo.
	Não recebe corrente eléctrica.	▶ Insira outra ferramenta eléctrica e verifique o funcionamento.
	Gerador em "Sleep Mode".	▶ Aplique uma carga ao gerador, conectando um outro consumidor (p. ex., uma lâmpada). Em seguida, desligue e volte a ligar a ferramenta.
	Cabo de alimentação encaixável não correctamente encaixado.	▶ Ligue o cabo de alimentação encaixável de forma correcta à ferramenta eléctrica.
Indicador de manutenção está aceso a vermelho.	Avaria na ferramenta ou alcançado o tempo de trabalho para uma manutenção programada.	▶ Mandar reparar o produto apenas no Centro de Assistência Técnica Hilti .
Indicador de manutenção está a piscar a vermelho.	A tensão fornecida pela rede de alimentação é demasiado alta.	▶ Substitua a tomada. Verifique a rede eléctrica.
	Disjuntor térmico.	▶ Deixe a ferramenta arrefecer. Limpe as saídas de ar. O funcionamento em vazio ainda é possível.



Avaria	Causa possível	Solução
Não tem percussão.	Ferramenta demasiado fria.	▶ Coloque o martelo demolidor sobre o material base e deixe-o trabalhar em vazio. Se necessário, repita, até o mecanismo de percussão trabalhar.
Frac performance da ferramenta.	Redução da capacidade activada.	▶ Selector do nível de potência accionado (prestar atenção ao indicador do nível de potência). Desligar da e voltar a ligar a ferramenta à tomada.
	Extensão de cabo demasiado comprida e/ou com secção inadequada.	▶ Utilize uma extensão de cabo com comprimento permitido e/ou com secção suficiente.
	A tensão fornecida pela rede de alimentação é demasiado baixa.	▶ Ligue a ferramenta a outra fonte de alimentação.
Não é possível soltar o cinzel do bloqueio.	O mandril não está completamente puxado para trás.	▶ Puxe o casquilho de bloqueio o máximo possível para trás e retire o acessório.
A ferramenta desliga-se durante o funcionamento.	Disjuntor térmico.	▶ Deixe a ferramenta arrefecer. Limpe as saídas de ar. O funcionamento em vazio ainda é possível.

9 Reciclagem

 As ferramentas **Hilti** são, em grande parte, fabricadas com materiais recicláveis. Um pré-requisito para a reciclagem é que esses materiais sejam devidamente separados. Em muitos países, a **Hilti** aceita a sua ferramenta usada para reutilização. Para mais informações dirija-se ao Serviço de Clientes **Hilti** ou ao seu vendedor.



- ▶ Não deite as ferramentas eléctricas, aparelhos electrónicos e baterias no lixo doméstico!

10 Garantia do fabricante

- ▶ Se tiver dúvidas em relação às condições de garantia, contacte o seu parceiro **Hilti** local.





Hilti Corporation
LI-9494 Schaan
Tel.:+423 234 21 11
Fax:+423 234 29 65
www.hilti.com



2077908