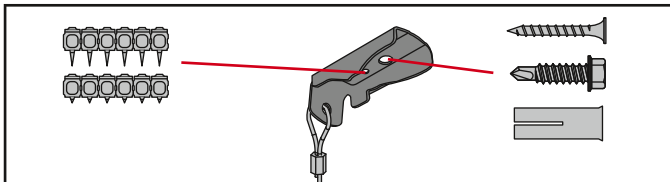
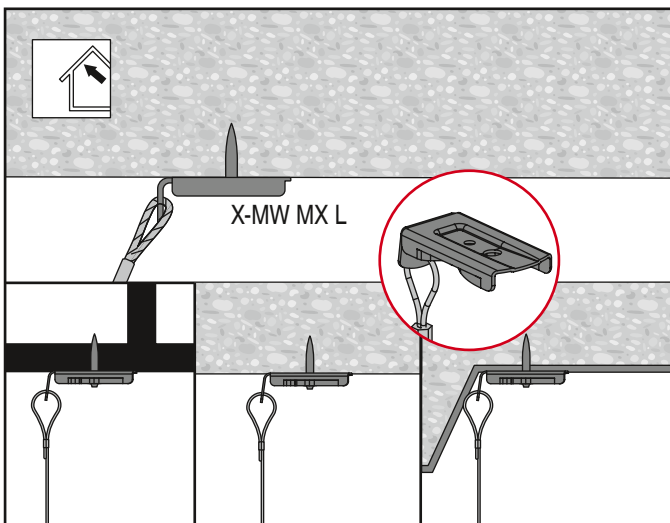
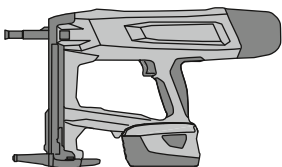


UL LISTED
 (Wire Hanger)
 E517614

Load rating: [30]lbs.
 Corresponds with mechanical strength using X-P fasteners according to UL Standard for Safety Luminaries, UL 1598



	X-P	X-S	PBH S CRS wood screw	S-MD HWH3	HDI 1/4"
TOOL					
ASSEMBLY					

BX 3-ME
BX 3-ME
 + X-PT B3

Concrete	Steel
Ceiling	
X-P 20 B3 MX X-P 24 B3 MX	X-S 14 B3 MX

