

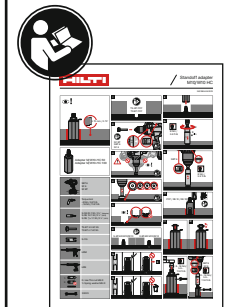
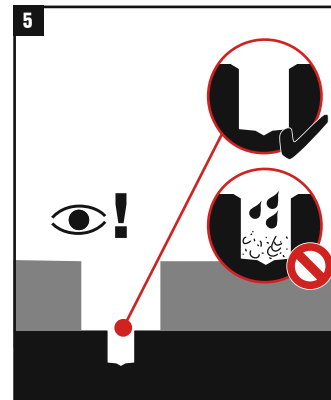
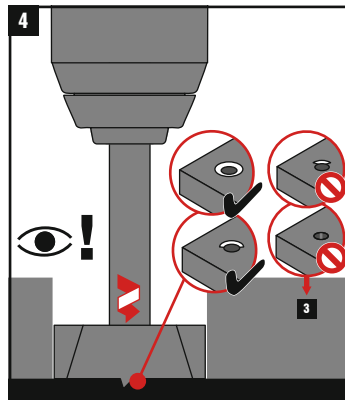
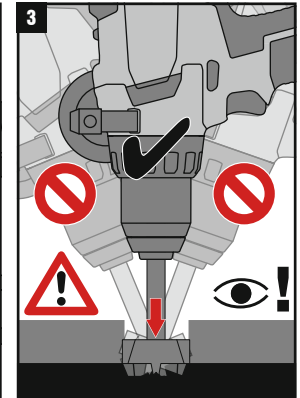
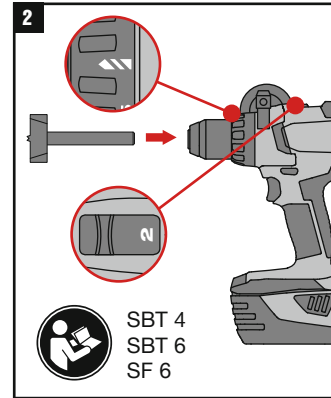
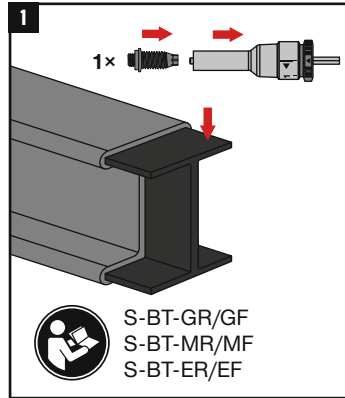
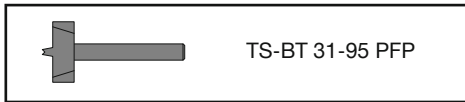
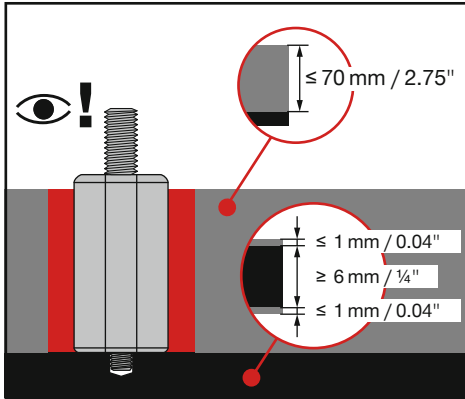


# TS-BT 31-95 PFP Removal drill bit S-BT HL (+ S-DG)

2398281-09.2023



Hilti Corrosion  
handbook /  
DFTM



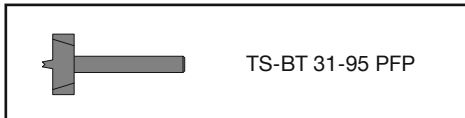
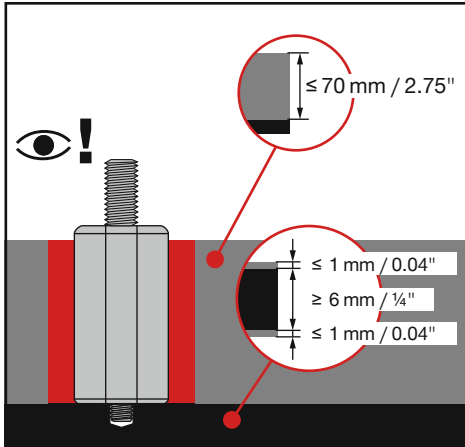
Standoff Adapter M8  
Standoff Adapter M10/W10  
Standoff Adapter M10/W10 HC



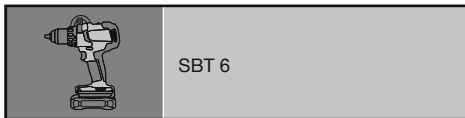
# TS-BT 31-95 PFP Removal Drill Bit S-BT HL



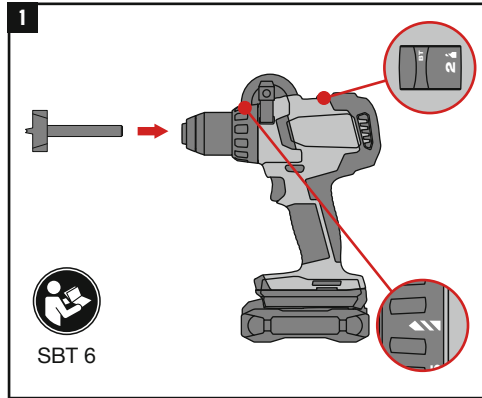
Hilti Corrosion  
handbook /  
DFTM



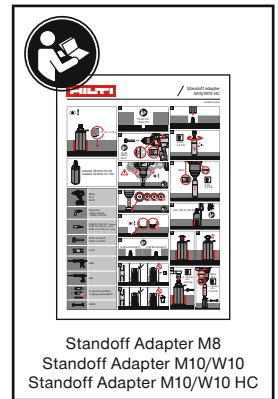
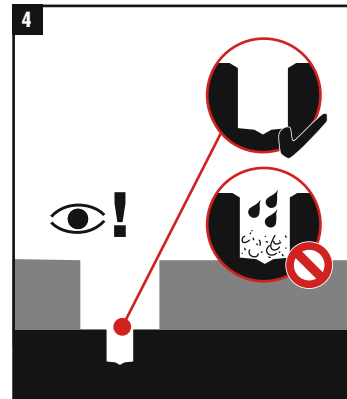
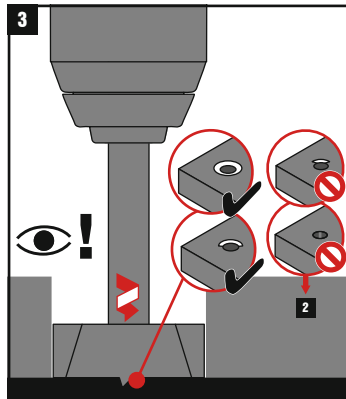
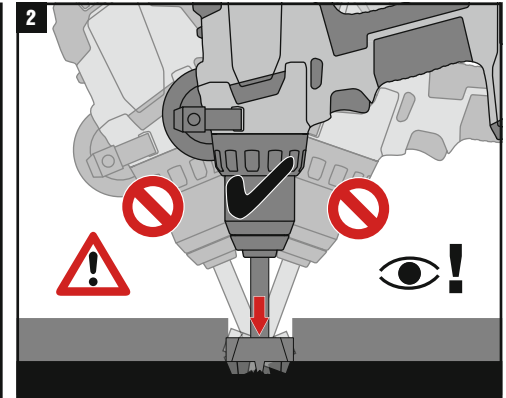
TS-BT 31-95 PFP



SBT 6



SBT 6



Standoff Adapter M8  
Standoff Adapter M10/W10  
Standoff Adapter M10/W10 HC